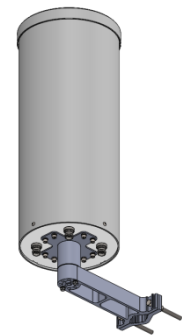


ECOSC2Y2P/2



Features & Applications

- BIDIRECTIONAL Small Cell Canister Antenna 4T4R
- 4-port x 1695-2700 MHz and 3300-4200 MHz (Diplexer)
- HPBW : 68 °, 60 °
- Gain : 11.1 dBi, 10.7 dBi
- Fixed tilt 0 °, 2 °, 6 ° (Optional) -see ordering part number-
- Rotation of antenna direction is possible by bracket
- Mounting options: wall mounting and pole mounting for mast Ø40 to Ø70mm

ELECTRICAL SPECIFICATIONS					
Port Information	-	Y1-Y2			
Frequency Range	(MHz)	1695-1920	1920-2180	2305-2360	2360-2700
Gain	Max.	10.3	10.9	11.1	11
	Avg.	9.7	10.3	10.8	10.3
Horizontal Pattern					
Azimuth Beam width	(°)	70	70	68	65
Vertical Pattern					
Elevation Beam width	(°)	17	15	13	12
First Upper Side Lobe Suppression	(dB)	13	13	13	13
Electrical Down Tilt	(°)	Fixed 0°, 2°, 6°(Optional)			

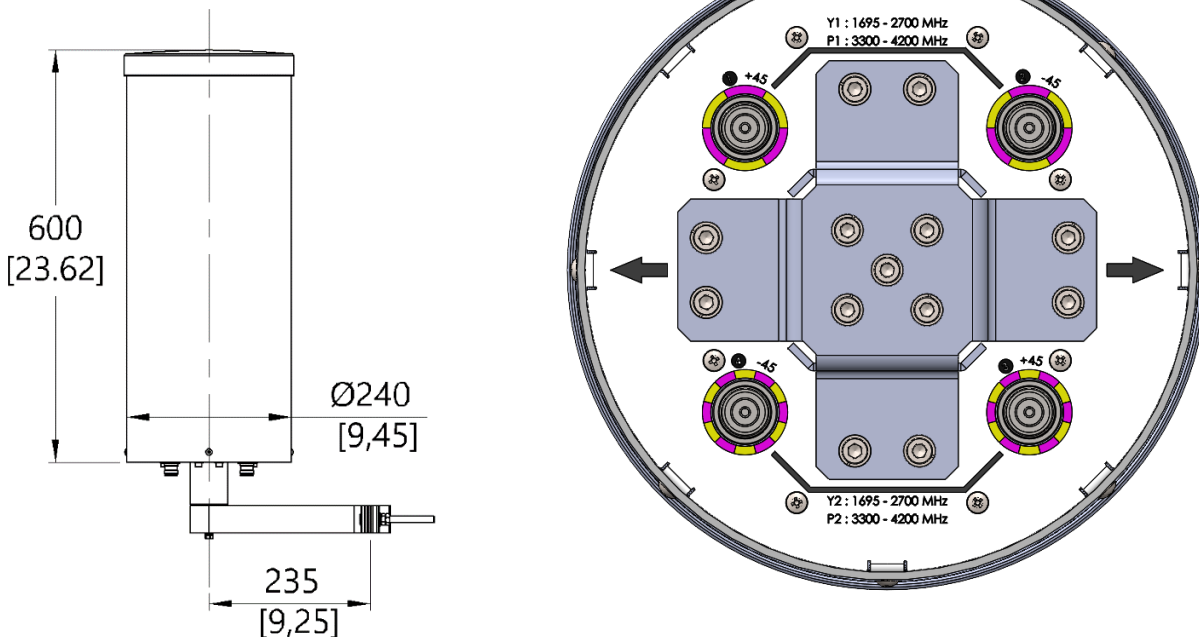
ELECTRICAL SPECIFICATIONS					
Port Information	-	P1-P2			
Frequency Range	(MHz)	3300-3550	3550-3700	3700-4200	
Gain	Max.	10.2	10.6	10.7	
	Avg.	9.5	9.8	9.8	
Horizontal Pattern					
Azimuth Beam width	(°)	65	60	57	
Vertical Pattern					
Elevation Beam width	(°)	16	15	14	
First Upper Side Lobe Suppression	(dB)	13	13	13	
Electrical Down Tilt	(°)	Fixed 0°, 2°, 6°(Optional)			

ECOSC2Y2P/2

GENERAL SPECIFICATIONS			
Port Information	-	Y1-Y2	P1-P2
Isolation	(dB)	>20	
VSWR	-	1.5 : 1	
Polarization	-	±45°	
Intermodulation IM3	(dBc)	-153(3rd Order, 2x20W)	-
Impedance	(Ω)	50	
Max. Power per Port	(Watts)	100	100

Array Information												
	Up	<table border="1"> <thead> <tr> <th>Array</th> <th>Frequency(MHz)</th> <th>Connectors</th> </tr> </thead> <tbody> <tr> <td>Y1/P1</td> <td>1695-2700 / 3300-4200</td> <td>1-2</td> </tr> <tr> <td>Y2/P2</td> <td>1695-2700 / 3300-4200</td> <td>3-4</td> </tr> </tbody> </table>	Array	Frequency(MHz)	Connectors	Y1/P1	1695-2700 / 3300-4200	1-2	Y2/P2	1695-2700 / 3300-4200	3-4	
	Array	Frequency(MHz)	Connectors									
Y1/P1	1695-2700 / 3300-4200	1-2										
Y2/P2	1695-2700 / 3300-4200	3-4										
Down												

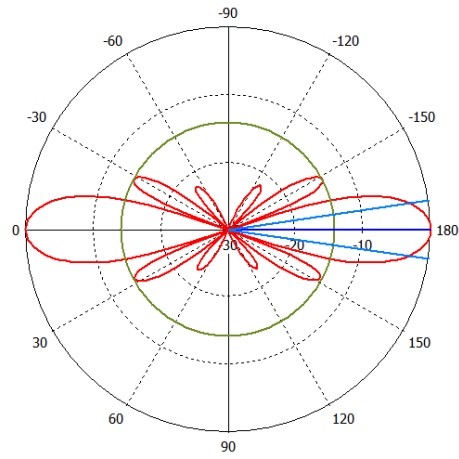
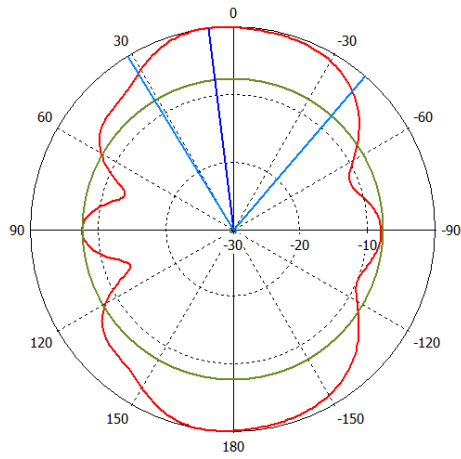
Outline



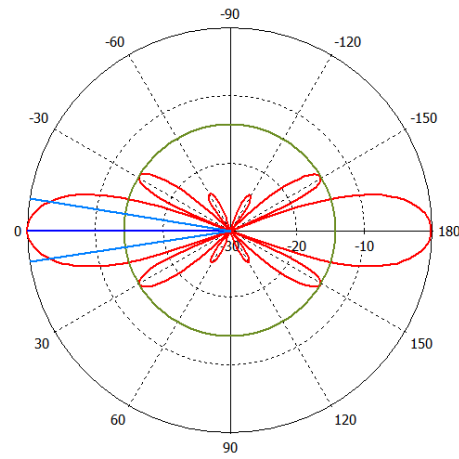
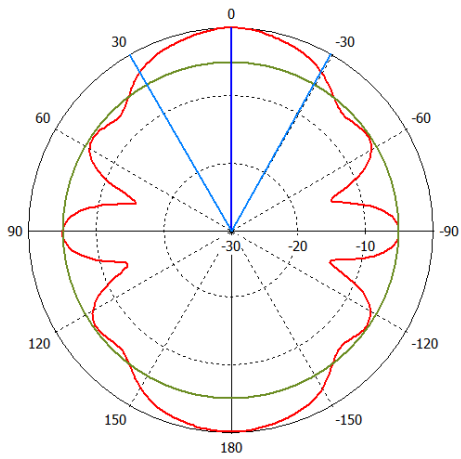
MECHANICAL SPECIFICATIONS			
Connector Type & Quantity	-	4 x 4.3-10 Female	
Connector Position	-	Bottom	
Antenna Dimension (∅ x H)	(inch / mm)	∅ 9.4 x 23.6 / ∅ 240 x 600	
Weight (without Mounting Kit)	(lb / kg)	15.4 / 7	
Wind Load (@100 mph)	(N)	127	
Max.Wind Speed (Survival Wind Speed)	(mph)	150	
Radome (Color)	-	ASA (Gray)	

ECOSC2Y2P/2

Pattern File_1695-2700 MHz



Pattern File_3300-4200 MHz

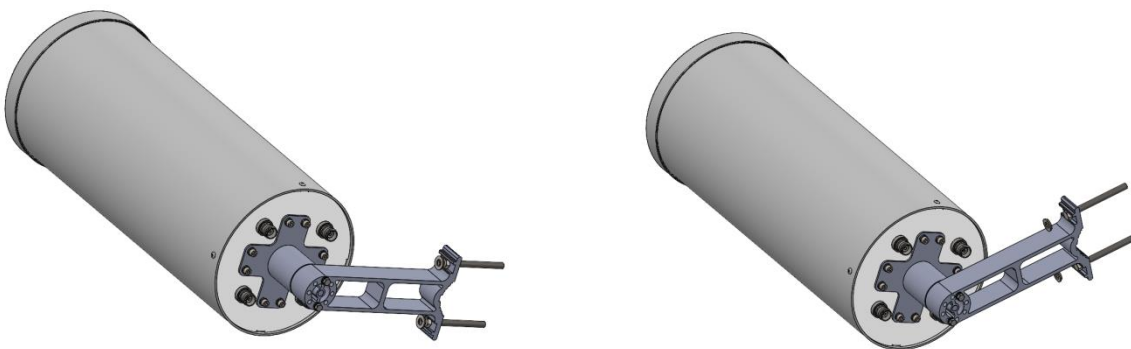
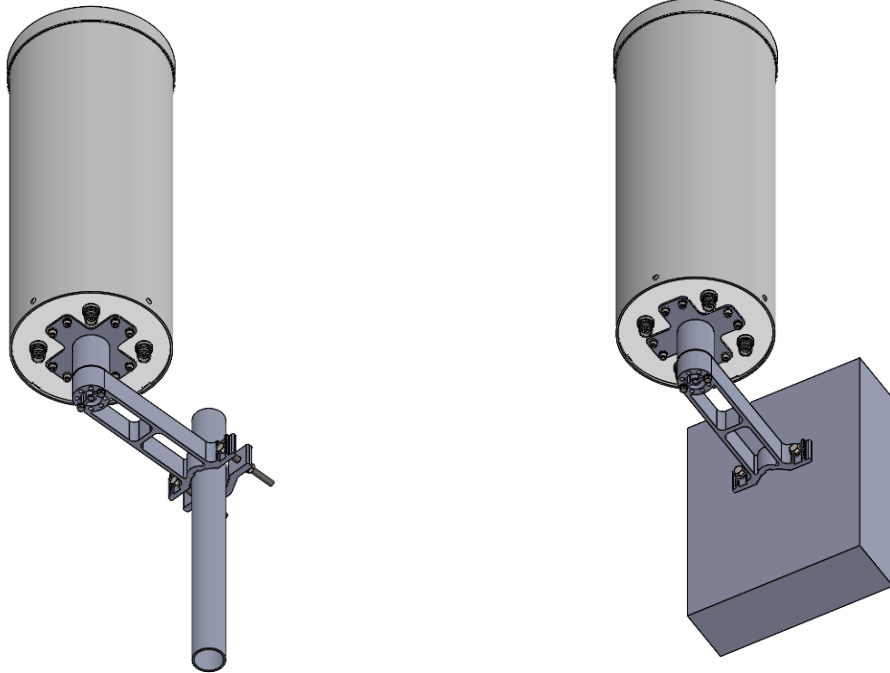


Ordering part number

TILT 0° ECOSC2Y2P/2-T0°
TILT 2° ECOSC2Y2P/2-T2°
TILT 6° ECOSC2Y2P/2-T6°

ECOSC2Y2P/2

Mounting Illustration:



Rotation 0°, 5°, 10°, 15°, 20°, 25°, 30°