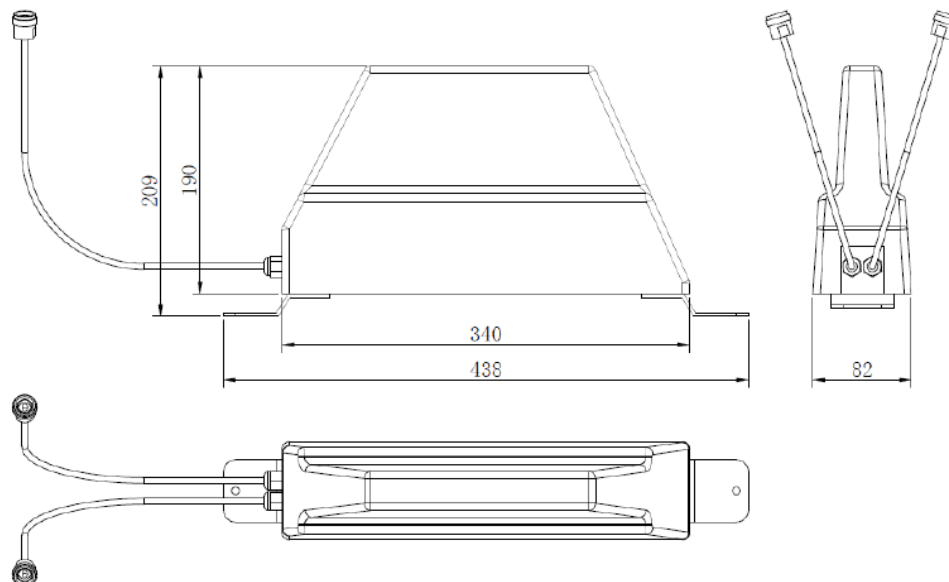


80020452

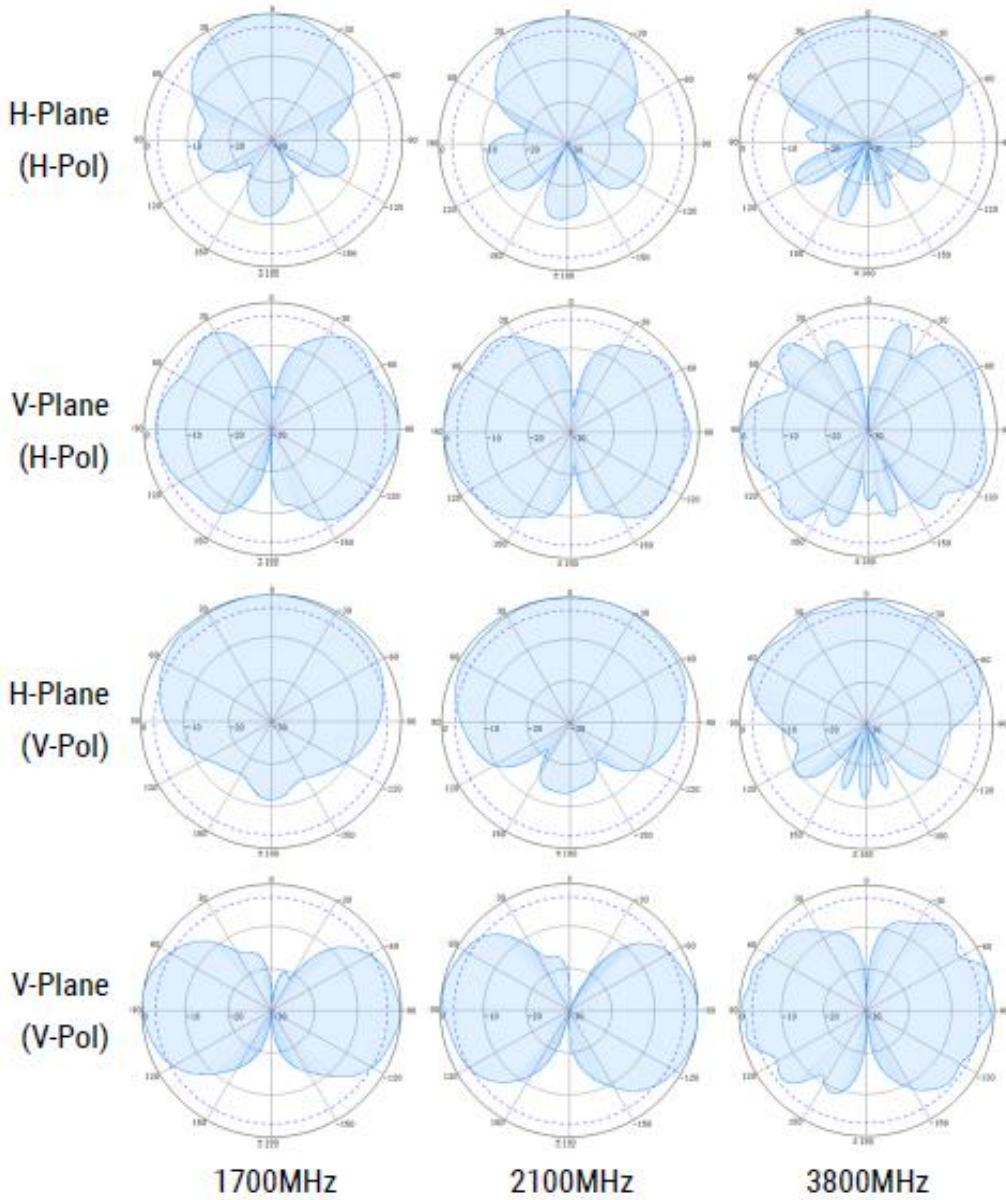
Outdoor Panel
 Bidirectional Antenna
 VHPol 2-port 5/6dBi -153dBc
 Bi-directional 1710-4000MHz

VH-Pol Bi-Directional 1710-4000 5/6dBi (Preliminary)

Type	80020452	
Frequency (MHz)	1710-2700	3300-4000
Gain (dBi)	5.5 ± 0.5	6 ± 0.5
VSWR	≤1.8	≤2.0
Polarization	Vertical / Horizontal	
PIM3 (dBc, @2x43dBm)	≤ -153	
Horizontal Beamwidth (°)	120	108
Vertical Beamwidth (°)	51	52
Isolation (dB)	24	3300-3800 (24) 3800-4000 (20)
Input Impedance (ohm)	50	
Max. Input Power (W)	100	
Lightning Protection	DC Grounded	
Connector (at the bottom)	2 x 4.3-10 Female	
Dimension (mm)	340 x 190 x 82	
Weight (kgs)	Approx. 1.2	
Radome Material	ASA + PC (White, RAL 9003)	
Operating Temperature (°C)	-40 to +65	
Mounting	Wall Mount with 2 x M6*60 Expansion Bolt	



Typical Radiation Patterns



Installation / Mounting Dimensions

