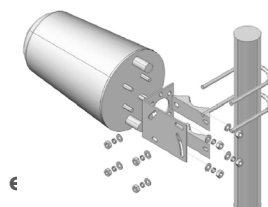


74211037

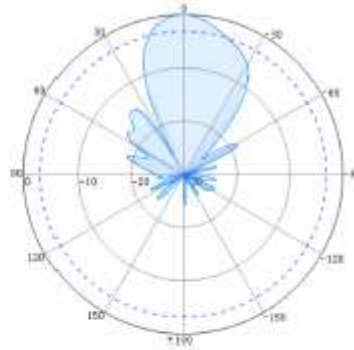
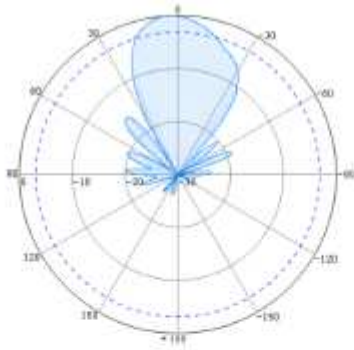
Log Periodic Antenna 3300-3800 15dBi

Log Periodic directional
antenna X-Pol 2-port
3300-3800 15dBi

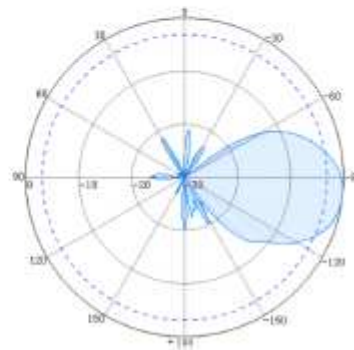
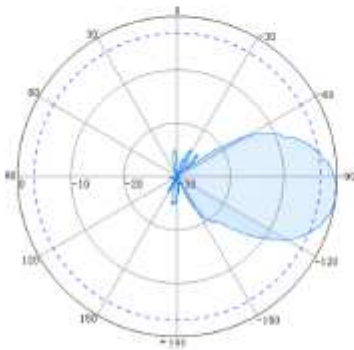
Type	74211037		
Frequency Range (MHz)	3300-3800		
Gain (dBi, typ.)	15		
VSWR	≤ 1.5		
Polarization	±45°		
PIM3 (dBc), @2x43dBm	≤ -153		
Front-to-Back Ratio (dB)	≥ 20		
Isolation (dB)	≥ 20		
Horizontal Beamwidth (°)	33		
Vertical Beamwidth (°)	32		
Input Impedance (Ω)	50		
Max. Input Power (W)	200		
Lightning Protection	DC Grounded		
Connector Type	4 x 4.3-10 Female		
Dimension (mm)	Ø180 x 330		
Weight (kgs)	TBD		
Max wind velocity (Km/h)	200		
Wind Load (N) (@150km/h Wind Speed)	TBD		
Radome Material	Fiberglass, Gray (RAL7035)		
Reflector Material	Aluminum		
Operating Temperature (°C)	-40 to +65		
Mounting	Pole Mount		
Complaint to Environmental Standards	Dry Heat	GB/T 2423.2	(IEC 60068-2-2)
	Cold	GB/T 2423.1	(IEC 60068-2-1)
	Damp Heat	GB/T 2423.3	(IEC 60068-2-78)
	Change of Temperature	GB/T 2423.22	(IEC 60068-2-14)
	Salt Mist	GB/T 2423.17	(IEC 60068-2-11)
		GB/T 10125	(ISO 9227)
	Ingress Protection	GB/T 4208	(IEC 60529)
	Vibration	GB/T 2423.10	(IEC 60068-2-64)
	Drop Test	GB/T 2423.8 & 4857.5	(ISO 2248)



H Pattern

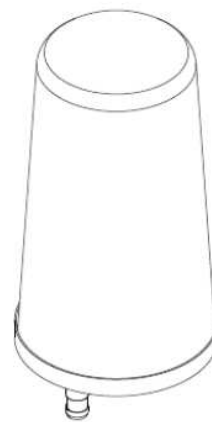
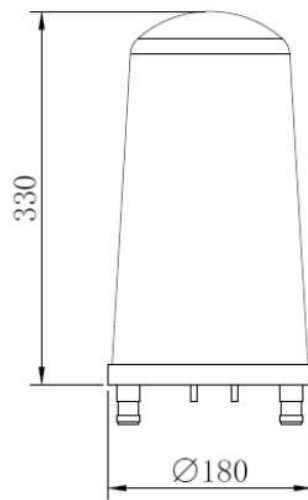
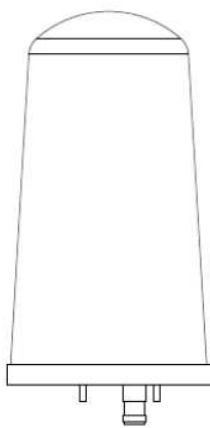


V Pattern

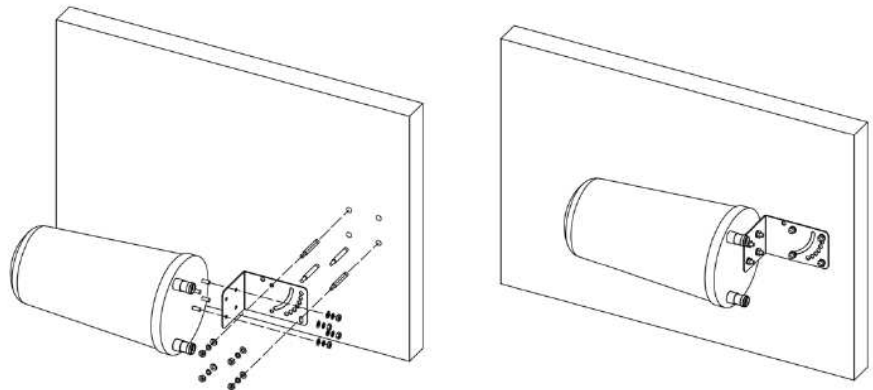
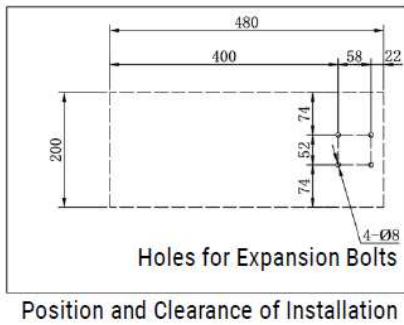


3300MHz

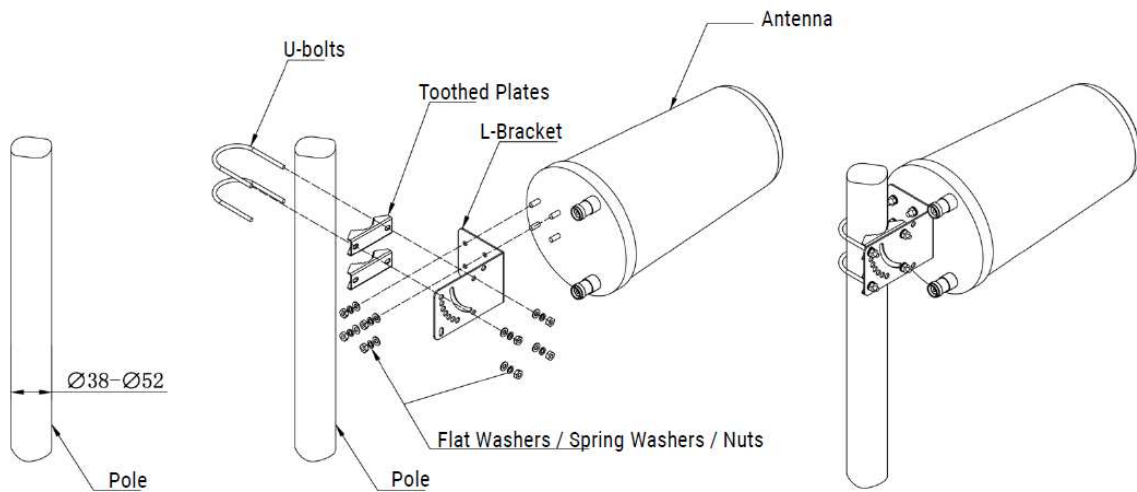
3800MHz



Installation Illustration – Wall Mount



Installation Illustration – Pole Mount



Disclaimer:

Installation of the antenna on wall shall be done by trained and authorized personnel. Local codes and legislation requirements must be observed. ESB and its representative holds no responsibility of damage of any kind due to the installation of the product.