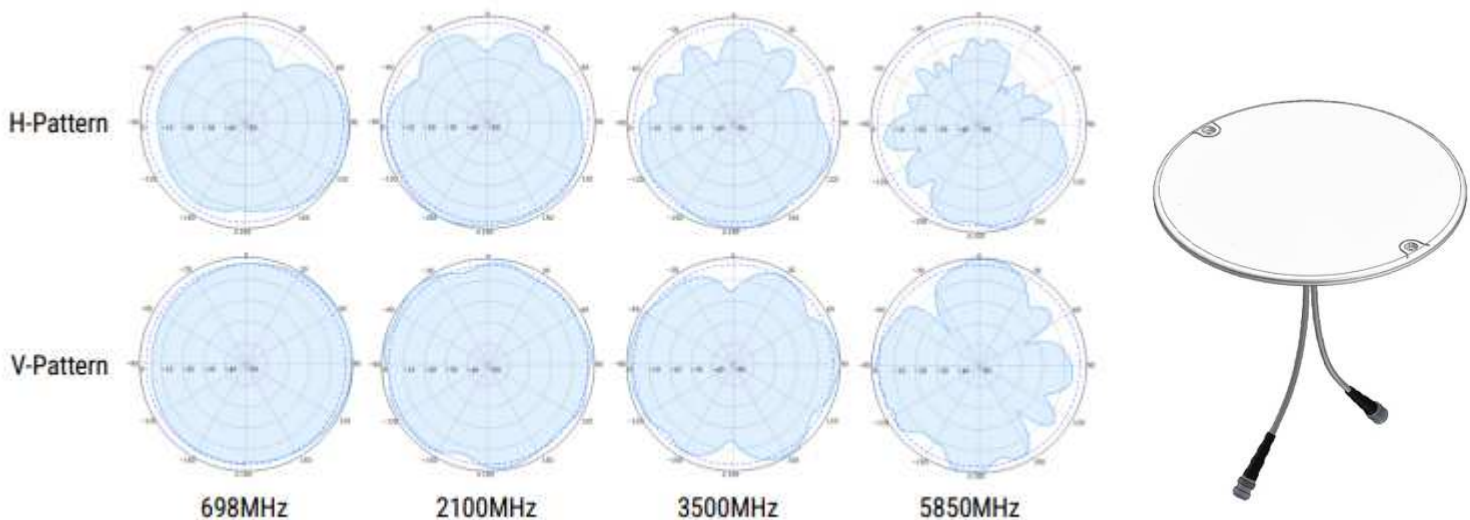


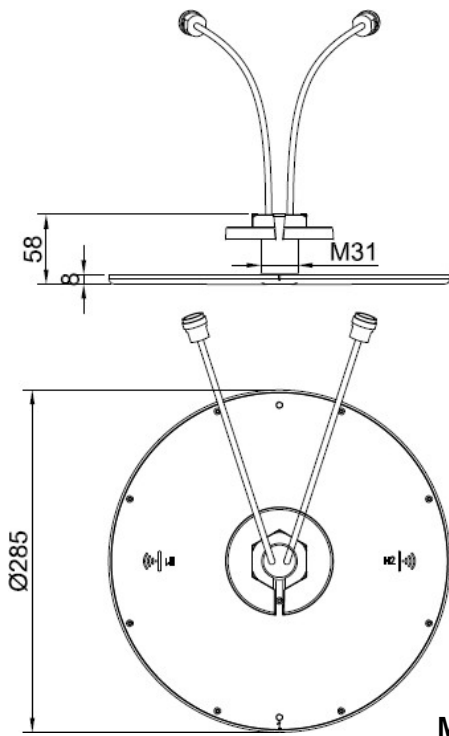
78712036

Indoor Omni Antenna Ultra-Thin
H/H-Pol 2-port 4/6dBi
698-960 / 1425-6000

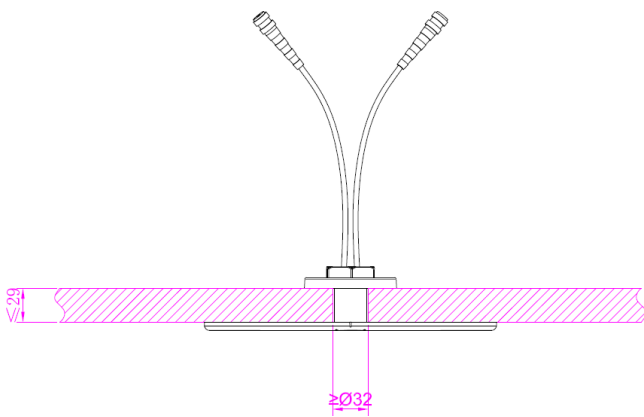
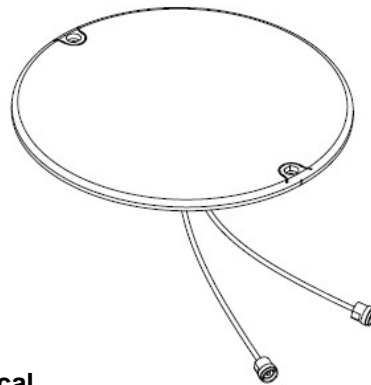
Omni Indoor 698-960/1425-6000 4/6dBi (Ultra-Thin)

| Type | 78712036 | | | |
|----------------------------|---------------------|-----------|-----------|-----------|
| Frequency (MHz) | 698-960 | 1425-2700 | 3300-4000 | 4000-6000 |
| Gain (dBi) | 4.0 | 5.5 | 6 | 7.5 |
| VSWR | ≤ 1.8 | ≤ 1.7 | ≤ 1.7 | ≤ 1.7 |
| Polarization | H-H | | | |
| Isolation (dB) | ≥15 | ≥20 | ≥20 | ≥28 |
| PIM3 (dBc, @2x43dBm) | ≤ -153 | | | |
| Horizontal Beamwidth (°) | 360 | | | |
| Vertical Beamwidth (°) | 100-120 | 30-68 | 20-48 | 19-35 |
| Input Impedance (ohm) | 50 | | | |
| Max. Input Power (W) | 100 | | | |
| Lightning Protection | DC Grounded | | | |
| Connector | 2 x 4.3-10 Female | | | |
| Dimension (mm) | Ø285 x 8 | | | |
| Weight (kgs) | Approx. 0.5 | | | |
| Radome Material | ABS (UV Stabilized) | | | |
| Operating Temperature (°C) | -40 to +65 | | | |



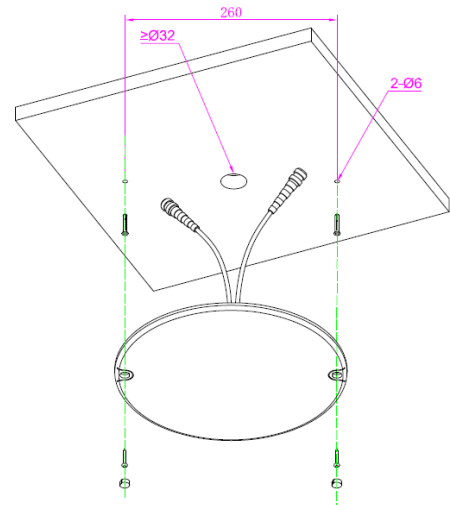


Mechanical



Installation option 1

Mount on ceiling with Locking nut



Installation option 2

Mount on ceiling with screws