

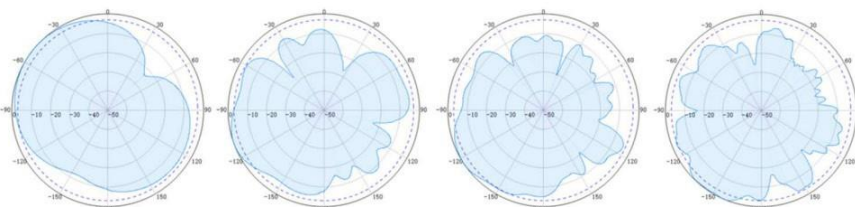
78715160

Indoor
Omni Antenna (Ultra-Thin Plate)
H-Pol 4-port 4/8dBi
698-6000

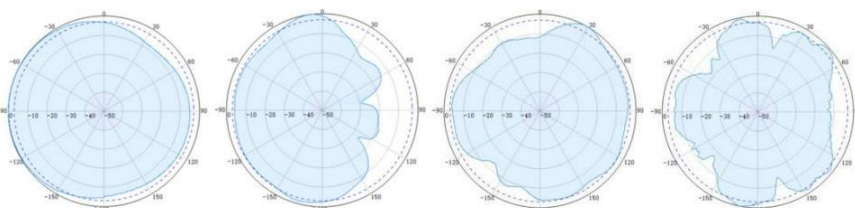
Omni Indoor
698-6000 4/8dBi (Ultra-Thin)

Type	78715160			
Frequency (MHz)	698-960	1425-2700	3300-4000	4000-6000
Gain (dBi)	4.3	6.9	6.3	7.9
VSWR	≤ 1.8	≤ 1.7	≤ 1.7	≤ 1.7
Polarization	Horizontal			
PIM3 (dBc, @2x43dBm)	≤ -153			
Isolation (dB)	≥ 15	≥ 20	≥ 28	≥ 28
Horizontal Beamwidth (°)	360			
Vertical Beamwidth (°)	100-120	30-68	20-48	19-35
Input Impedance (ohm)	50			
Max. Input Power (W)	100			
Lightning Protection	DC Grounded			
Connector	4 x 4.3-10 Female			
Dimension (mm)	Ø355 x 14			
Weight (kgs)	Approx. 1.6			
Radome Material	ABS (UV Stabilized)			
Operating Temperature (°C)	-40 to +65			

H-Pattern



V-Pattern

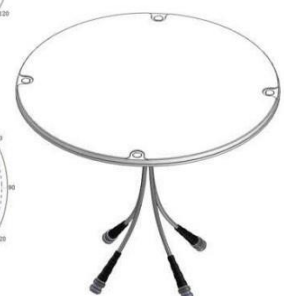


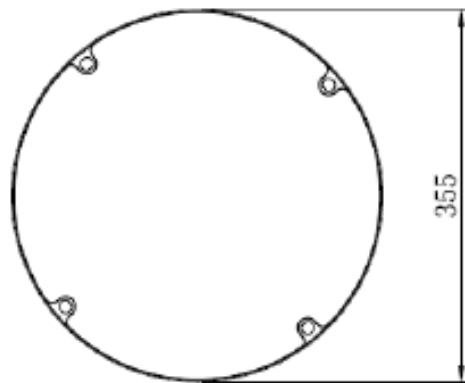
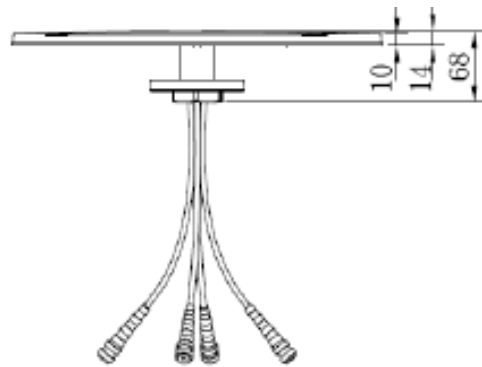
698MHz

2100MHz

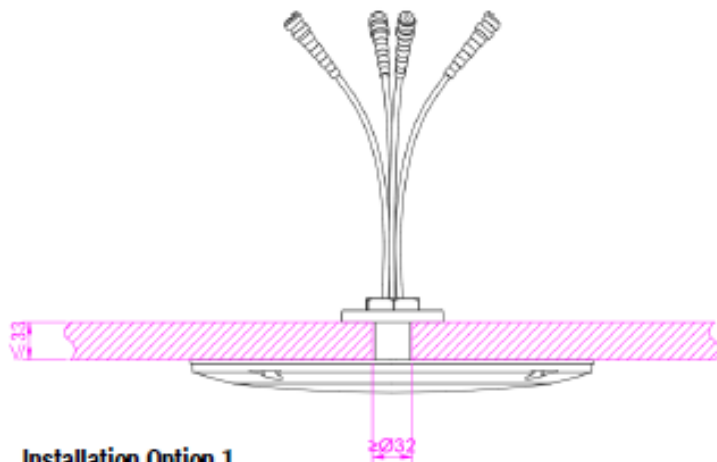
3500MHz

5850MHz

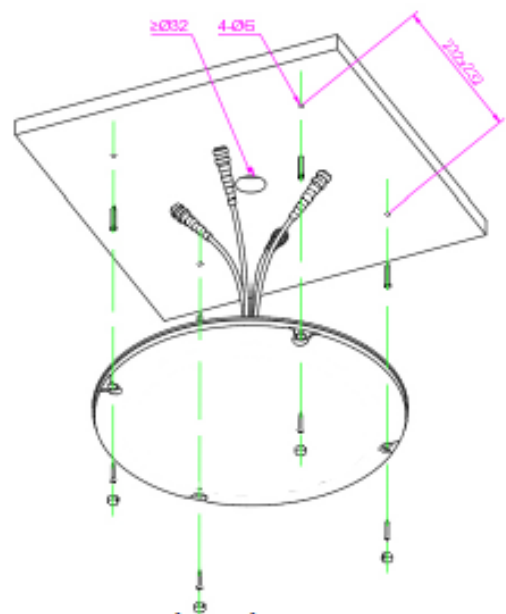




Mechanical Dimensions



Installation Option 1
Mount on ceiling through Locking Nut



Installation Option 2
Mount on ceiling with Screws

Note: In case of direct Installation on metallic surface, please use ESB RF absorber 70120002