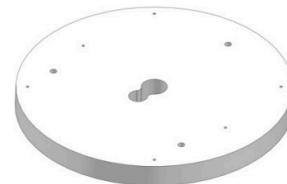
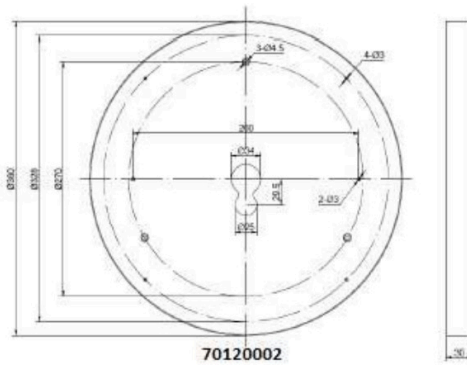
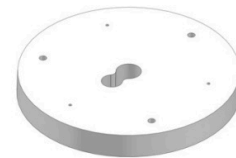
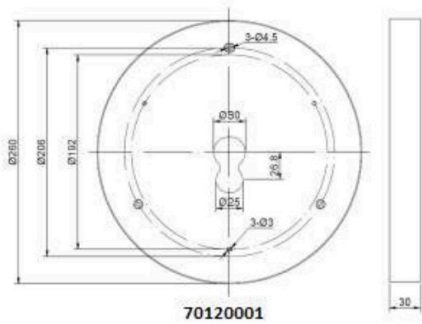


70120001 / 70120002

RF absorbing base for ESB omni ceiling antennas

Type	70120001	70120002
Mounting	30 x Ø260	30 x Ø360
Colour	ABS (UV Stabilized)	



Application of ESB absorbing base

In general, omni ceiling-mounted antennas are installed on non-metallic surface and avoid being installed near any metallic object or surface to avoid RF interferences which could badly affect the antenna performance. When such installation becomes not possible, ESB RF Absorbing Base is used to minimize the RF interferences and improve the performance to acceptable level. ESB does not guarantee the operation of this device and highly recommends installing antennas on non-metallic surfaces