

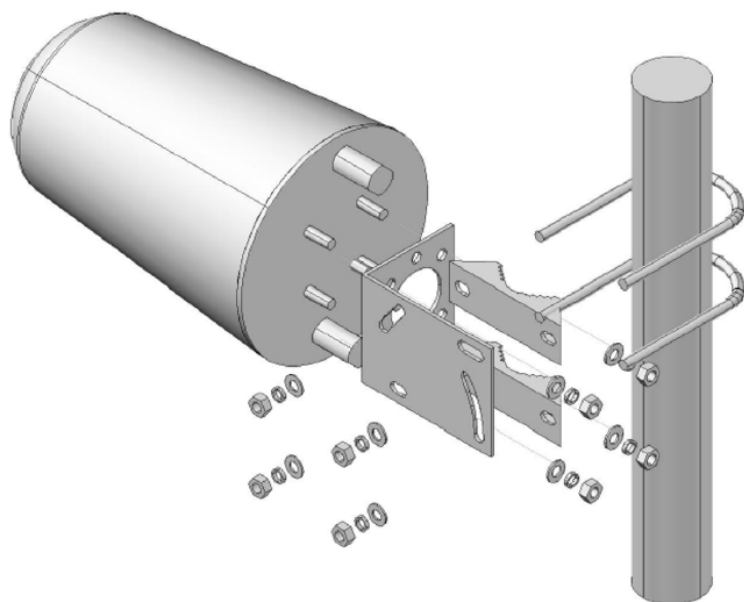
742x1025-V00

Log Periodic AntennaX-
 Pol 2-port 12dBi
 3300-3800

Log Periodic Antenna 3300-3800 12dBi

Type	74211025	74231025	
Frequency Range (MHz)	3300-3800		
Gain (dBi, typ.)	12		
VSWR	≤ 1.5		
Polarization	±45°		
PIM3 (dBc), @2x43dBm	≤ -153		
Horizontal Beamwidth (°)	55		
Vertical Beamwidth (°)	48		
Front-to-Back Ratio (dB)	≥ 20		
Input Impedance (Ω)	50		
Max. Input Power (W)	200		
Lightning Protection	DC Grounded		
Connector Type	2 x 4.3-10 Female	2 x N Female	
Dimension (mm)	Ø130 x 200		
Weight (kgs)	1.2		
Radome Material	Fiber Glass (Grey)		
Operating Temperature (°C)	-40 to +65		
Mounting	Pole Mount		
Max wind velocity (Km/h)	210		
Wind Load (N) (@150km/h Wind Speed)	Frontal: 24.3 Lateral: 27.6 Rearside: 40.2		
Complaint to Environmental Standards	Dry Heat	GB/T 2423.2	(IEC 60068-2-2)
	Cold	GB/T 2423.1	(IEC 60068-2-1)
	Damp Heat	GB/T 2423.3	(IEC 60068-2-78)
	Change of Temperature	GB/T 2423.22	(IEC 60068-2-14)
	Salt Mist	GB/T 2423.17	(IEC 60068-2-11)
		GB/T 10125	(ISO 9227)
	Ingress Protection	GB/T 4208	(IEC 60529)
	Vibration	GB/T 2423.10	(IEC 60068-2-64)
	Drop Test	GB/T 2423.8 & 4857.5	(ISO 2248)

Mounting Illustration:



Radiation Patterns:

