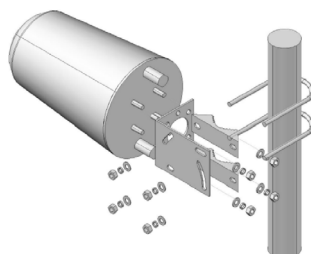


742x1025

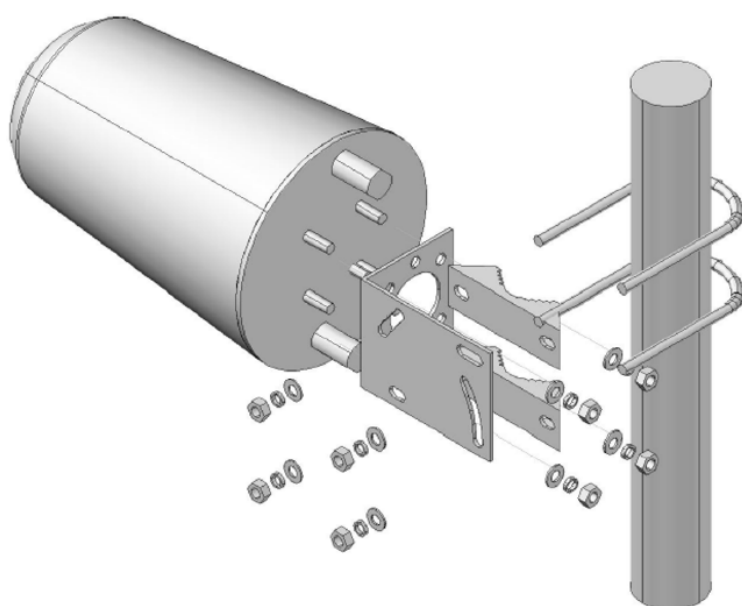
Log Periodic Antenna 3300-3800 12dBi

Log Periodic Antenna XPol
2-port 12dBi
3300-3800

| Type | 74211025 | 74231025 | |
|--------------------------------------|--|----------------------|------------------|
| Frequency Range (MHz) | 3300-3800 | | |
| Gain (dBi, typ.) | 12 | | |
| VSWR | ≤ 1.5 | | |
| Polarization | ±45° | | |
| PIM3 (dBc), @2x43dBm | ≤ -153 | | |
| Horizontal Beamwidth (°) | 55 | | |
| Vertical Beamwidth (°) | 48 | | |
| Front-to-Back Ratio (dB) | ≥ 20 | | |
| Input Impedance (Ω) | 50 | | |
| Max. Input Power (W) | 200 | | |
| Lightning Protection | DC Grounded | | |
| Connector Type | 2 x 4.3-10 Female | 2 x N Female | |
| Dimension (mm) | Ø130 x 200 | | |
| Weight (kgs) | 1.2 | | |
| Radome Material | Fiber Glass (Grey) | | |
| Operating Temperature (°C) | -40 to +65 | | |
| Mounting | Pole Mount | | |
| Max wind velocity (Km/h) | 210 | | |
| Wind Load (N) (@150km/h Wind Speed) | Frontal: 24.3 Lateral: 27.6 Rearside: 40.2 | | |
| Complaint to Environmental Standards | Dry Heat | GB/T 2423.2 | (IEC 60068-2-2) |
| | Cold | GB/T 2423.1 | (IEC 60068-2-1) |
| | Damp Heat | GB/T 2423.3 | (IEC 60068-2-78) |
| | Change of Temperature | GB/T 2423.22 | (IEC 60068-2-14) |
| | Salt Mist | GB/T 2423.17 | (IEC 60068-2-11) |
| | | GB/T 10125 | (ISO 9227) |
| | Ingress Protection | GB/T 4208 | (IEC 60529) |
| | Vibration | GB/T 2423.10 | (IEC 60068-2-64) |
| | Drop Test | GB/T 2423.8 & 4857.5 | (ISO 2248) |



Mounting Illustration:



Radiation Patterns:

