

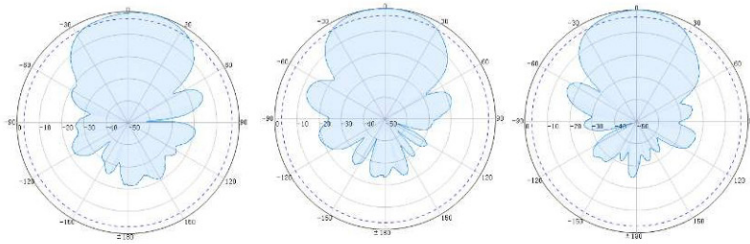
742x1014

Log Periodic Antenna XX-Pol4-port 12dBi 3300-3800MHz

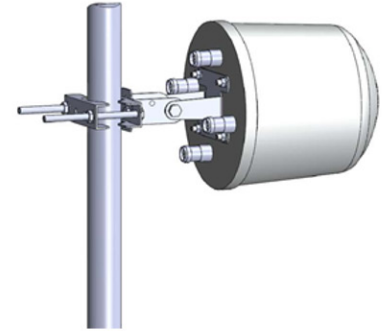
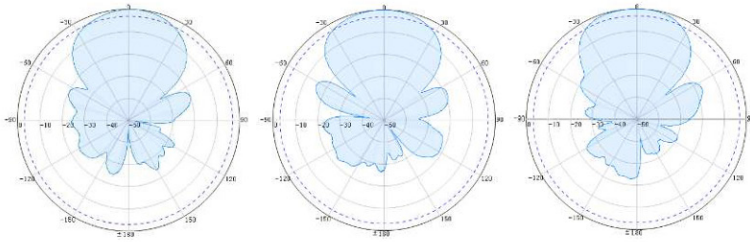
Log Periodic Antenna 3300-3800 12dBi

Type	74211014	74231014
Frequency Range (MHz)	3300-3800	
Gain (dBi, typ.)	12	
VSWR	≤ 1.5	
Polarization	±45°	
PIM3 (dBc), @2x43dBm	≤ -153	
Horizontal Beamwidth (°)	55	
Vertical Beamwidth (°)	48	
Front-to-Back Ratio (dB)	≥ 20	
Input Impedance (Ω)	50	
Max. Input Power (W)	200	
Lightning Protection	DC Grounded	
Connector Type	4 x 4.3-10 Female	4 x N Female
Dimension (mm)	Ø203 x 200	
Weight (kgs)	1.8	
Radome Material	Fiber Glass (Grey)	
Operating Temperature (°C)	-40 to +65	
Mounting	Pole Mount	
Complaint to Environmental Standards	Dry Heat	GB/T 2423.2 (IEC 60068-2-2)
	Cold	GB/T 2423.1 (IEC 60068-2-1)
	Damp Heat	GB/T 2423.3 (IEC 60068-2-78)
	Change of Temperature	GB/T 2423.22 (IEC 60068-2-14)
	Salt Mist	GB/T 2423.17 (IEC 60068-2-11)
		GB/T 10125 (ISO 9227)
	Ingress Protection	GB/T 4208 (IEC 60529)
	Vibration	GB/T 2423.10 (IEC 60068-2-64)
	Drop Test	GB/T 2423.8 & 4857.5 (ISO 2248)

H Pattern



V Pattern



Dimensions and mounting

