

MAST POLE STRUCTURES

Type No.	ECOBS80-100
-----------------	--------------------

Short Description

Base Module to provide additional length, stability, and installation options to ECO800XXX antennas series

Length	1000mm
Weight	93Kg
Width	800mm
Structure Material	Aluminum + Galvanised steel (anchoring)
Radome Colour	RAL 9003 (White)
Total Windload	677N at 150Km/h
Radome material	Aluminum



Type No.	ECOMP80-X00
-----------------	--------------------

Short Description

Additional modular extension to increase length.

	ECOMP80-100	ECOMP80-200
Length	1000mm	2000mm
Weight	40Kg	80Kg
Width	800mm	800mm
Structure Material	Aluminum	Aluminum
Radome Colour	RAL 9003 (White)	RAL 9003 (White)
Total Windload	677N at 150Km/h	1354N at 150Km/h
Radome material	Aluminum	Aluminum



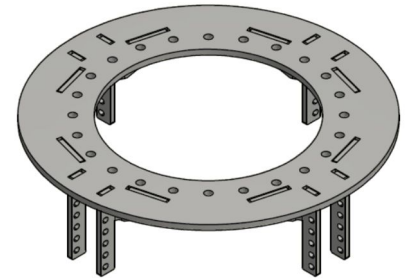
MAST POLE STRUCTURES

Type No.	ECOCAP80
-----------------	-----------------

Short Description

Interface to install ECOSITE Antenna on ECOMP80-X00 or ECOBS80-100 modules

	ECOCAP80
Length	115mm
Weight	50Kg
Width	800mm
Structure Material	Galvanised steel
Colour	Silver
Total Windload	68N at 150Km/h
Radome material	Aluminum



MAST POLE CONFIGURATION GUIDELINE

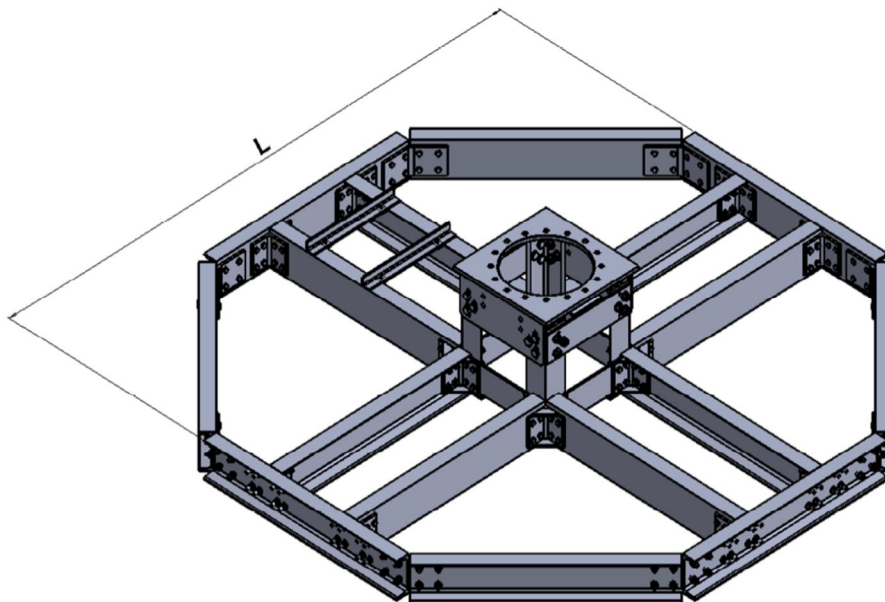
Type No.	Description	QTY
1 Meter Mast Pole		
ECOBS80-100	Aluminium standard base 800 mm x 1000 mm	1
ECOCAP64	Aluminium antenna / module interface 800 mm	1
2 Meters Mast Pole		
ECOBS80-100	Aluminium standard base 800 mm x 1000 mm	1
ECOMP80-100	Aluminium standard module 800 mm x 1000 mm	1
ECOCAP80	Aluminium antenna / module interface 800 mm	1
3 Meters Mast Pole		
ECOBS80-100	Aluminium standard base 800 mm x 1000 mm	1
ECOMP80-200	Aluminium standard module 800 mm x 2000 mm	1
ECOCAP80	Aluminium antenna / module interface 800 mm	1
4 Meters Mast Pole		
ECOBS80-100	Aluminium standard base 800 mm x 1000 mm	1
ECOMP80-200	Aluminium standard module 800 mm x 2000 mm	1
ECOMP80-100	Aluminium standard module 800 mm x 1000 mm	1
ECOCAP80	Aluminium antenna / module interface 800 mm	1

ANCHORING SOLUTIONS

Type No.	ECOBPX
----------	--------

ECOBPX consists of a modular supplied bedplate that allows the anchoring of the complete solution on rooftop. Depending weight and length, we provide 3 different sizes (M, L, XL). ECOBS80-100 shall be mounted on top of it.

Type No	ECOBPM	ECOBPL	ECOBPXL
Dimension (mm)	3330x500x3330	3854x500x3854	4250x500x4250
Height (mm)	500	500	500
Weight (kg)	564	644	
Material	Galvanized steel	Galvanized steel	Galvanized steel



(In order to calculate the appropriate size please keep in contact with your regional sales contact)

ANCHORING SOLUTIONS

Type No.	ECOGPV02
-----------------	-----------------

ECOGPV02 consists on a pedestal to be mounted on concrete over the rooftop. ECOBS80-100 shall be mounted on top of it.

Dimension for ECOBSXX-100 mounting	847mm
Dimension for ground anchoring	580x580mm
Height (mm)	200mm
Weight (kg)	85
Material	Galvanized steel

