

ECO800991 + ECOACTxxxx

Tri-sector Camouflage Hybrid Antenna

2L 4M 0H Passive / 5G MAK



GENERAL INFORMATION

Type No.	ECO800991
-----------------	------------------

Short Description

Passive Tri-sector antenna enclosure composed by 3 panel Antennas integrated and Electrically adapted to a cylindrical enclosure for camouflage. It has the option to provide an upper mechanical module to integrate 5G mMimo Active Antennas at the same diameter.

Passive Frequency Range	2x 698-960/ 2x 1427-2690/ 2x 1695-2690Mhz
Passive Antenna Reference	3x 800372991 (Ericsson)
N° Ports	36 x 4.3-10
Weight	350kgs approx.
Length incl. Service Area	2441mm
Diameter	800mm
Colour	RAL 9003 (white)
Variable Azimuth	±15° per sector
Shipping information	Wooden box 2680x1050x1190 // 520 kg

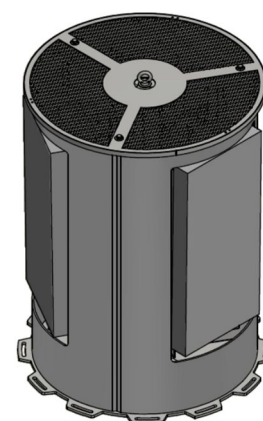


Type No.	ECOACTxxxx
-----------------	-------------------

Short Description

Mechanical Active Kit (MAK) Module to host up to 3x 5G Active Antennas.

Weight	108kgs
Length	1163mm approx..
Diameter	800mm
Colour	RAL 9003 (White)
Mechanical Donwtilt	0°-6°
Shipping information	Wooden box 1400x1120x1250 // 230 kg



ECO800991 + ECOACTxxxx Tri-sector Camouflage Hybrid Antenna 2L 4M 0H Passive / 5G MAK



GENERAL INFORMATION

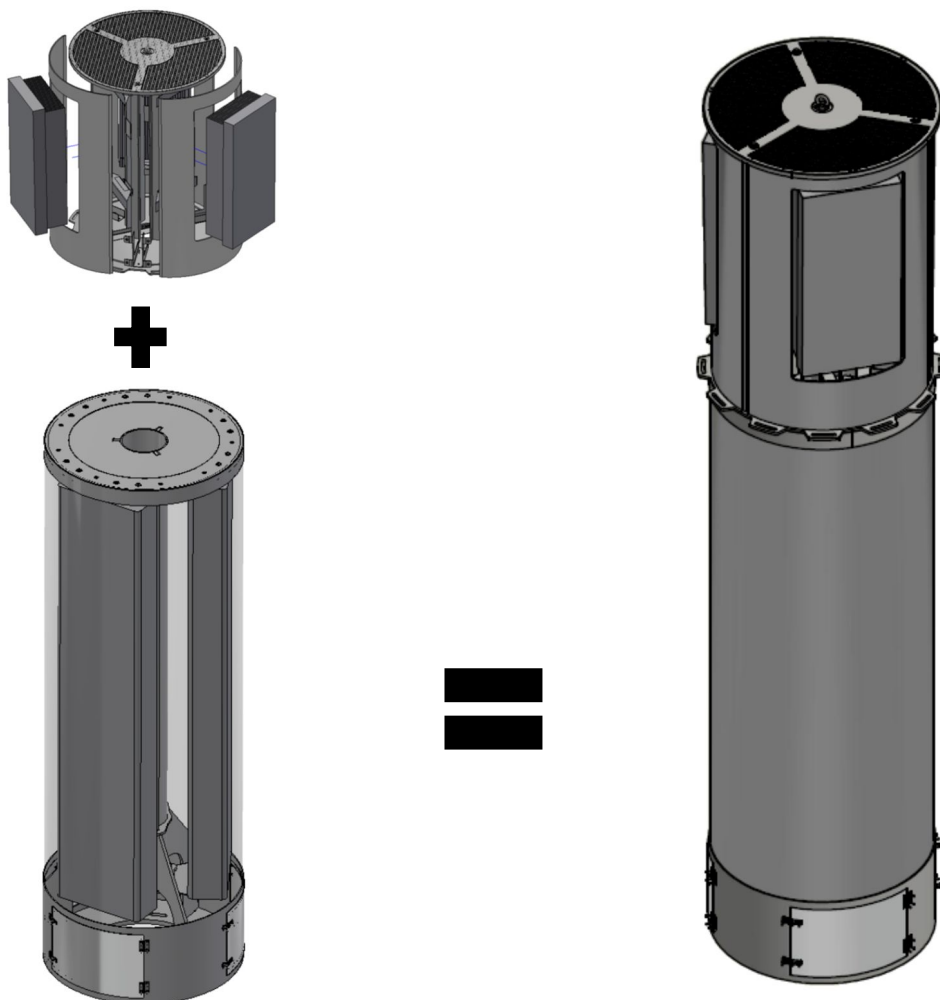
Active antenna correlative ordering matrix

Ref.	ERICSSON	HUAWEI	ZTE
ECOACT6401	AIR6488	X	X
ECOACT6411	AIR6449	X	X
ECOACT3201	AIR3227	X	X
ECOACT6402	X	AAU5613	X
ECOACT6403	X	X	A9631W S36

(ESB SISTEMAS does not provide Active antennas)

Short Description

In combination of Passive Antenna module (ECO800991) and Active Antenna Module (ECOACTXXXX) it may be deployed a full solution for 2G/3G/4G and 5G with full capacity features and sharing scenarios respecting the landscape architecture with a low visual impact solution.



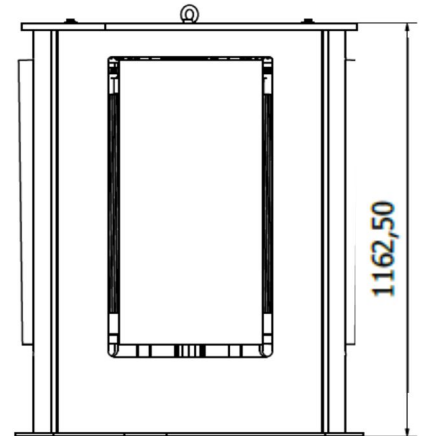
ECO800991 + ECOACTxxxx Tri-sector Camouflage Hybrid Antenna 2L 4M 0H Passive / 5G MAK



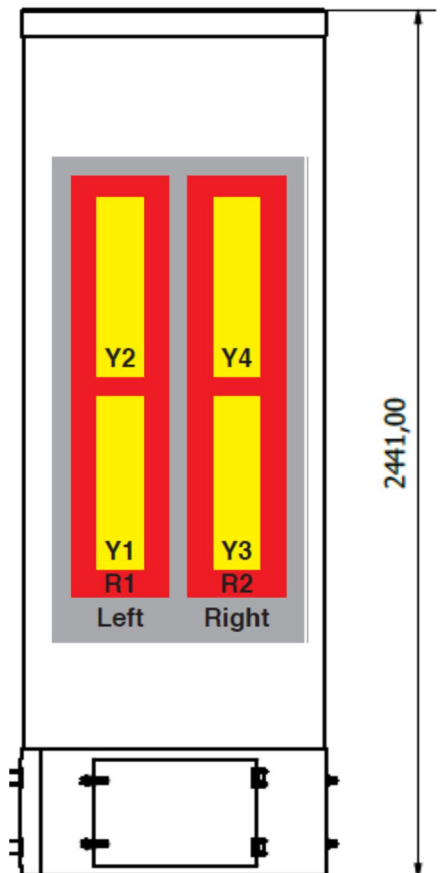
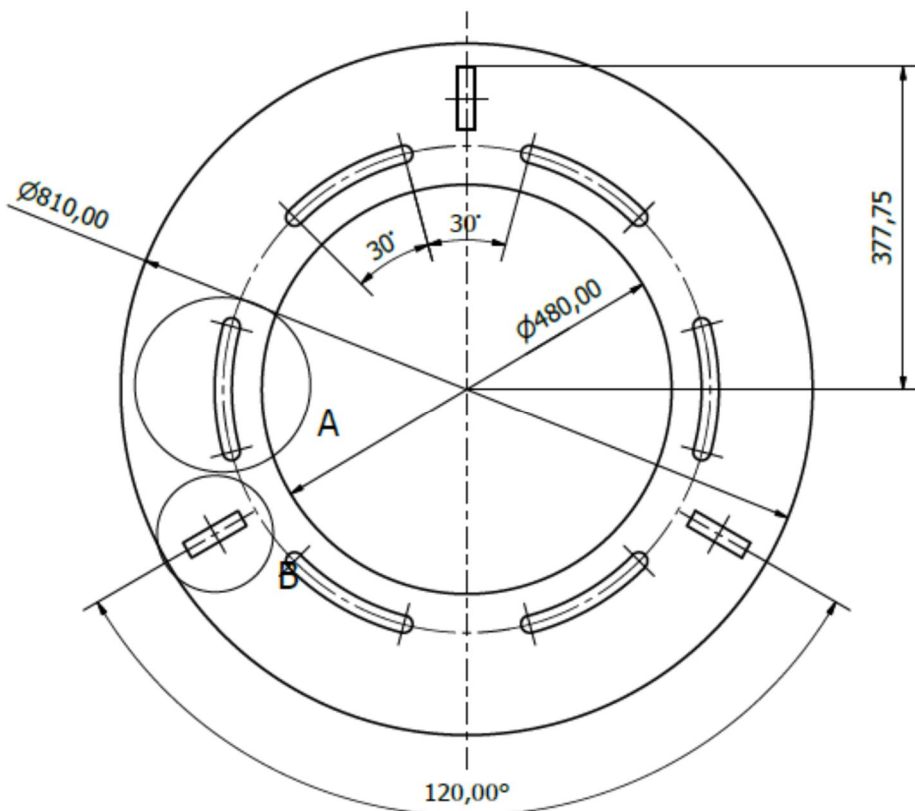
MECHANICAL INFORMATION

Type No.	ECO800991 + ECOACTXXXX
-----------------	-------------------------------

Total Weight	458kg approx
Total Length	3604mm
Total Diameter	800mm
Total Windload	2439N at 150km/h
Radome material	Fiberglass (Passive)
Structure material	Galvanised Steel



(Detail of Passive Antenna bottom Flange)



ECO800991 + ECOACTxxxx
Tri-sector Camouflage Hybrid Antenna
2L 4M 0H Passive / 5G MAK



TECHNICAL INFORMATION

Type No.	ECO800991
-----------------	------------------

R1	R2	Y1	Y2	Y3	Y4
698-960	698-960	1695-2690	1427-2690	1695-2690	1427-2690

	R1	R1
Frequency Range (Mhz)	698-960	698-960
Gain at Mid Tilt (dBi)	15.1	15.1
Azimuth Beamwidth (°)	60±7	60±7
Elevation Beawidth (°)	11.6±1.0	11.6±1.0
Electrical Downtilt (°)	2.5-11.5°	
Isolation (dB)	>24	
Passive Intermodulation (dBc)	<-153 (2x 43dBm carrier)	
VSWR	<1.5	

	Y1	Y2
Frequency Range (Mhz)	1695-2690	1427-2690
Gain at Mid Tilt (dBi)	15.8	16.0
Azimuth Beamwidth (°)	63±4	62±4
Elevation Beawidth (°)	9.9±0.9	8.3±0.9
Electrical Downtilt (°)	2-12°	
Isolation (dB)	>24	
Passive Intermodulation (dBc)	<-153 (2x 43dBm carrier)	
VSWR	<1.5	

	Y3	Y4
Frequency Range (Mhz)	1695-2690	1427-2690
Gain at Mid Tilt (dBi)	15.8	16.0
Azimuth Beamwidth (°)	63±4	62±4
Elevation Beawidth (°)	9.9±0.9	8.3±0.9
Electrical Downtilt (°)	2-12°	
Isolation (dB)	>24	
Passive Intermodulation (dBc)	<-153 (2x 43dBm carrier)	
VSWR	<1.5	