

**ECO800965 + ECOACT64xx**  
**Tri-sector Camouflage Hybrid Antenna**  
**2G/3G/4G/5G Passive & Active**

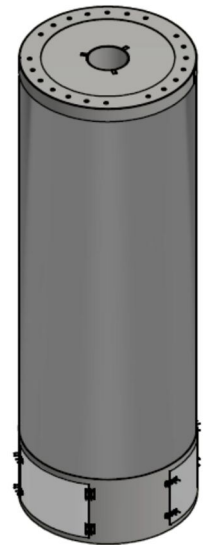
**GENERAL INFORMATION (Preliminary)**

<b>Type No.</b>	<b>ECO800965</b>
-----------------	------------------

**Short Description**

Passive Tri-sector antenna enclosure composed by 3 panel Antennas integrated and Electrically adapted to a cylindrical enclosure for camouflage on urban Landscape. It has the option to provide an upper mechanical module to integrate 5G mMimo Active Antennas at the same diameter.

<b>Passive Frequency Range</b>	2x 698-960/ 2x 1427-2690Mhz
<b>Passive Antenna Reference</b>	3x 800372965 (Kathrein)
<b>N° Ports</b>	24 x 4.3-10
<b>Weight</b>	350kgs approx.
<b>Length incl. Service Area</b>	2441mm
<b>Diameter</b>	800mm
<b>Colour</b>	RAL 9003 (white)
<b>Variable Azimuth</b>	±15° per sector

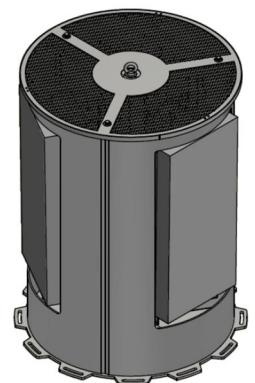


<b>Type No.</b>	<b>ECOACT64xx</b>
-----------------	-------------------

**Short Description**

Mechanical Active Kit Module to host up to 3x 64T64R 5G mMimo Active Antennas.

<b>Weight</b>	108kgs
<b>Length</b>	1163mm approx..
<b>Diameter</b>	800mm
<b>Colour</b>	RAL 9003 (White)
<b>Mechanical Donwtilt</b>	0°-15°
<b>Shipping information</b>	Wooden box 1400x1120x1250 // 230 kg



*Active antenna correlative ordering matrix*

Ref.	ERICSSON	HUAWEI	ZTE
ECOACT6401	AIR6488	X	X
ECOACT6411	AIR6449	X	X
ECOACT6402	X	AAU5613	X
ECOACT6403	X	X	A9631W S36

(ESB SISTEMAS does not provide Active antennas)

**ECO800965 + ECOACT64xx**  
**Tri-sector Camouflage Hybrid Antenna**  
**2G/3G/4G/5G Passive & Active**

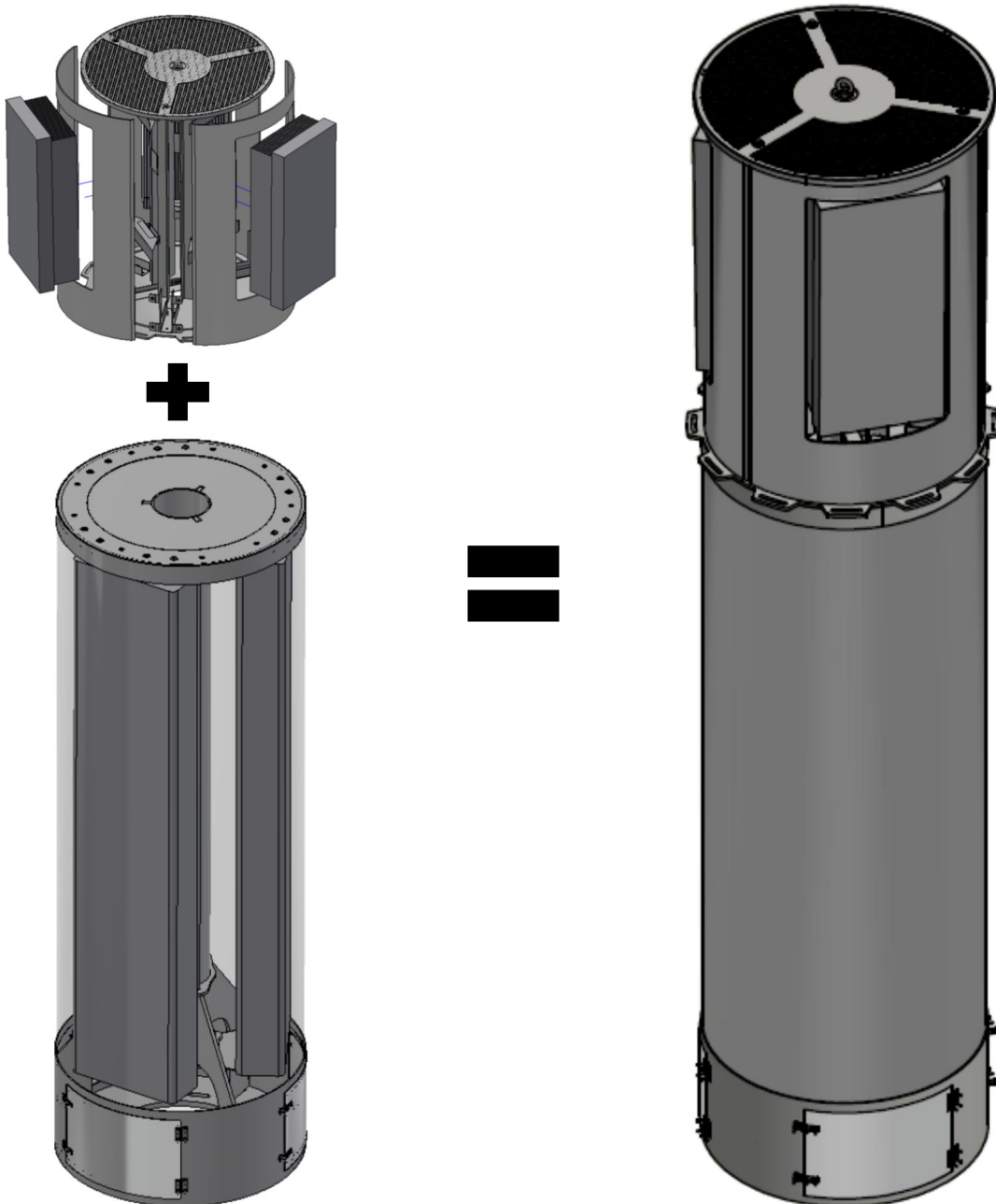
---

**GENERAL INFORMATION (Preliminary)**

Type No.	ECO800965 + ECOACT64xx
----------	------------------------

**Short Description**

In combination of Passive Antenna module (ECO800965) and Active Antenna Module (ECOACT64xx) it may be deployed a full solution for 2G/3G/4G and 5G with full capacity features and sharing scenarios respecting the landscape architecture with a low visual impact solution.

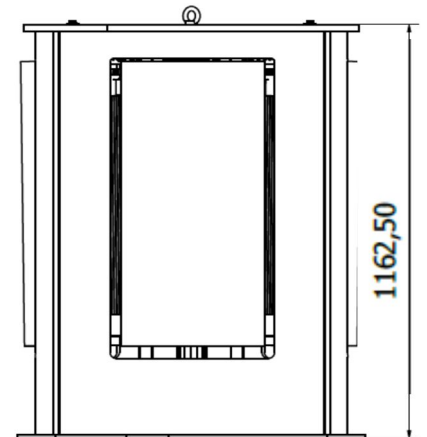


**ECO800965 + ECOACT64xx**  
**Tri-sector Camouflage Hybrid Antenna**  
**2G/3G/4G/5G Passive & Active**

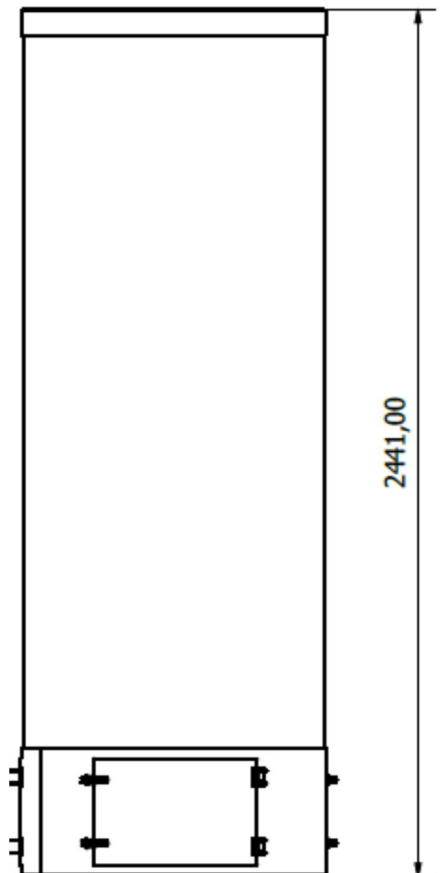
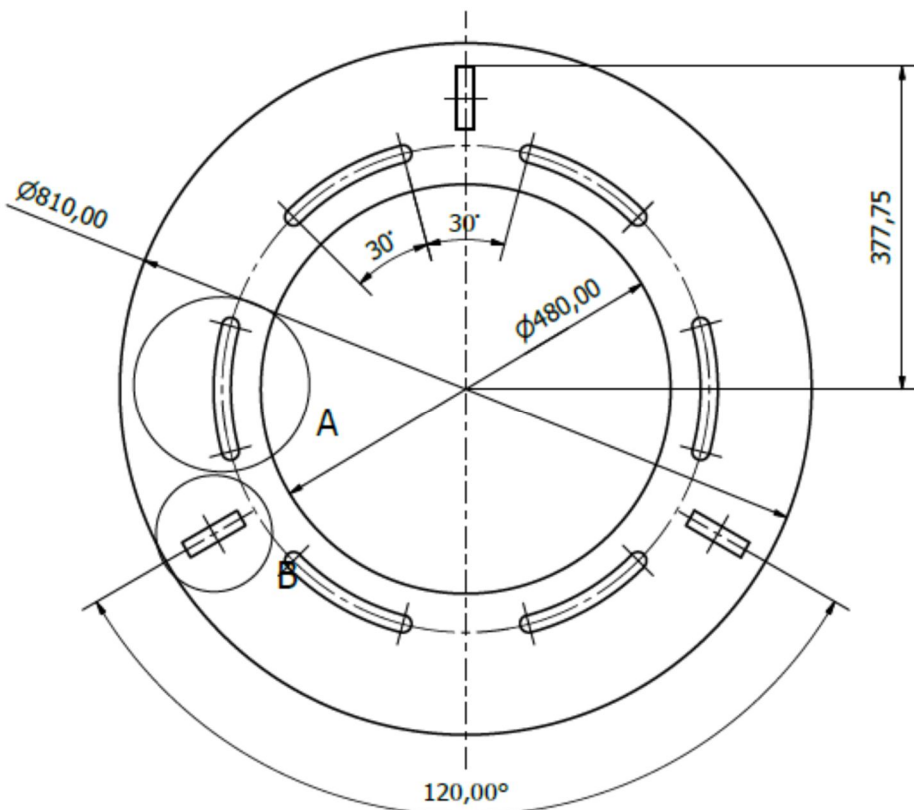
**MECHANICAL INFORMATION (Preliminary)**

<b>Type No.</b>	<b>ECO800965 + ECOACT64xx</b>
-----------------	-------------------------------

<b>Total Weight</b>	500kg approx
<b>Total Length</b>	3604mm
<b>Total Diameter</b>	800mm
<b>Total Windload</b>	2439N at 150km/h
<b>Radome material</b>	Fiberglass (Passive)
<b>Structure material</b>	Galvanised Steel



(Detail of Passive Antenna bottom Flange)



**ECO800965 + ECOACT64xx**  
**Tri-sector Camouflage Hybrid Antenna**  
**2G/3G/4G/5G Passive & Active**



**TECHNICAL INFORMATION (Preliminary)**

<b>Type No.</b>	<b>ECO800965</b>		
-----------------	------------------	--	--

<b>R1</b>	<b>R2</b>	<b>Y1</b>	<b>Y2</b>
<b>698-960</b>	<b>698-960</b>	<b>1695-2690</b>	<b>1427-2690</b>

	<b>R1</b>	<b>R1</b>
Frequency Range (Mhz)	<b>698-960</b>	<b>698-960</b>
Gain at Mid Tilt (dBi)	15.1	15.1
Azimuth Beamwidth (°)	60±7	60±7
Elevation Beawidth (°)	11.6±1.0	11.6±1.0
Electrical Downtilt (°)	2.5-11.5°	
Isolation (dB)	>25	
Passive Intermodulation (dBc)	<-153 (2x 43dBm carrier)	
VSWR	<1.5	

	<b>Y1</b>	<b>Y2</b>
Frequency Range (Mhz)	<b>1427-2690</b>	<b>1427-2690</b>
Gain at Mid Tilt (dBi)	16.0	16.0
Azimuth Beamwidth (°)	62±4	62±4
Elevation Beawidth (°)	8.3±0.9	8.3±0.9
Electrical Downtilt (°)	2-12°	
Isolation (dB)	>25	
Passive Intermodulation (dBc)	<-153 (2x 43dBm carrier)	
VSWR	<1.5	