

ECO800008 + ECOACTxxxx

Tri-sector Camouflage Hybrid Antenna

2L 6M 0H Passive / 5G MAK



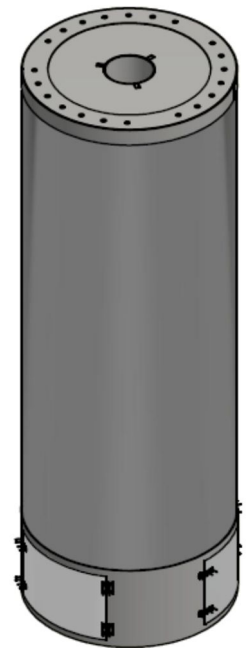
GENERAL INFORMATION

Type No.	ECO800008
-----------------	------------------

Short Description

Passive Tri-sector antenna enclosure composed by 3 panel Antennas integrated and Electrically adapted to a cylindrical enclosure for camouflage. It has the option to provide an upper mechanical module to integrate 5G mMimo Active Antennas at the same diameter.

Passive Frequency Range	2x 698-960/ 4x 1695-2690 / 2x1427-2690Mhz
Passive Antenna Reference	3x 800442008 (Ericsson)
N° Ports	48 x 4.3-10
Weight	398kgs approx.
Length incl. Service Area	2441mm
Diameter	800mm
Colour	RAL 9003 (white)
Variable Azimuth	±10° per sector
Shipping information	Wooden box 2680x1050x1190 // 568 kg

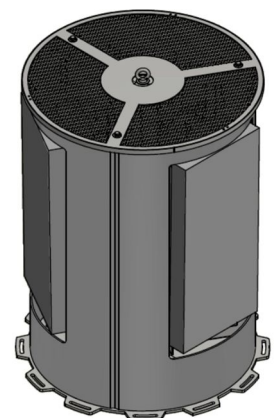


Type No.	ECOACTxxxx
-----------------	-------------------

Short Description

Mechanical Active Kit (MAK) Module to host up to 3x 5G Active Antennas.

Weight	108kgs
Length	1163mm approx..
Diameter	800mm
Colour	RAL 9003 (White)
Mechanical Donwtilt	0°-6°
Shipping information	Wooden box 1400x1120x1250 // 230 kg



ECO800008 + ECOACTxxxx Tri-sector Camouflage Hybrid Antenna 2L 6M 0H Passive / 5G MAK



GENERAL INFORMATION

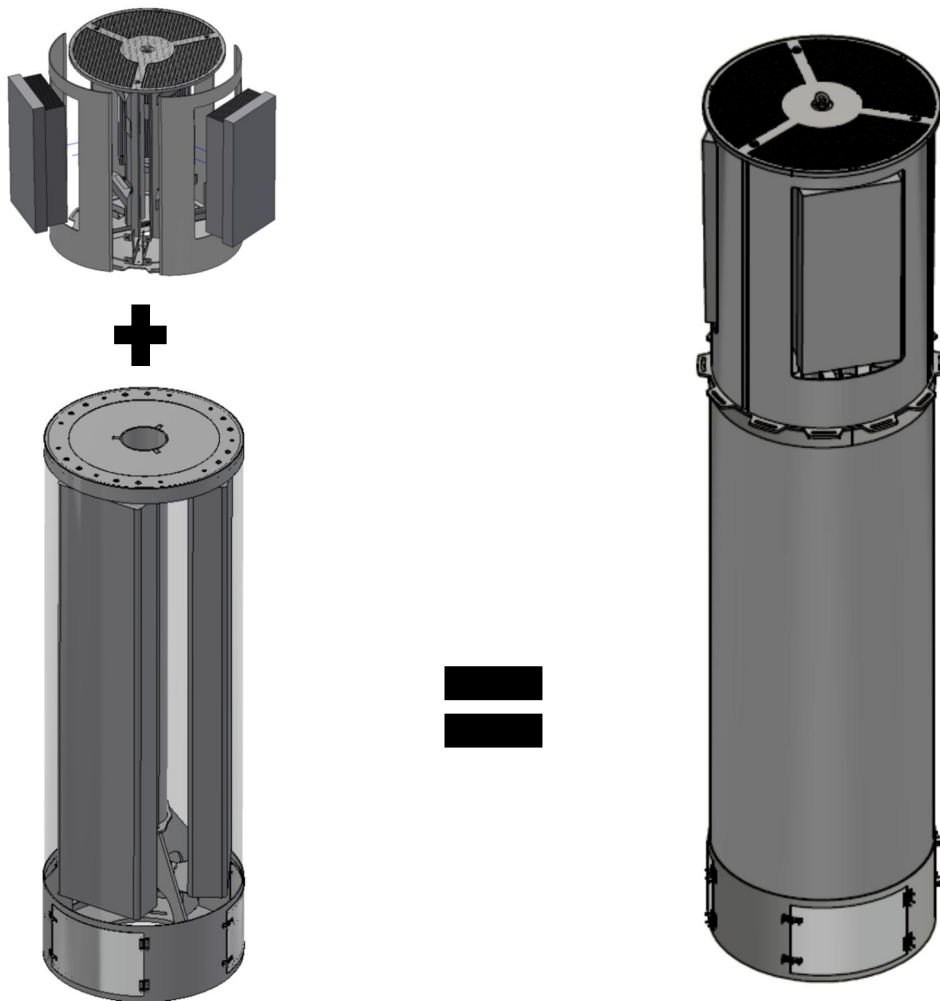
Active antenna correlative ordering matrix

Ref.	ERICSSON	HUAWEI	ZTE
ECOACT6401	AIR6488	X	X
ECOACT6411	AIR6449	X	X
ECOACT3201	AIR3227	X	X
ECOACT6402	X	AAU5613	X
ECOACT6403	X	X	A9631W S36

(ESB SISTEMAS does not provide Active antennas)

Short Description

In combination of Passive Antenna module (ECO800008) and Active Antenna Module (ECOACTXXXX) it may be deployed a full solution for 2G/3G/4G and 5G with full capacity features and sharing scenarios respecting the landscape architecture with a low visual impact solution.



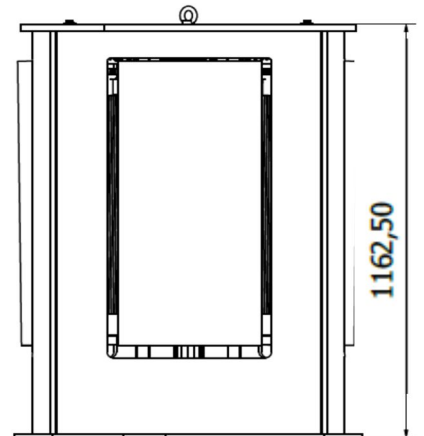
ECO800008 + ECOACTxxxx Tri-sector Camouflage Hybrid Antenna 2L 6M 0H Passive / 5G MAK



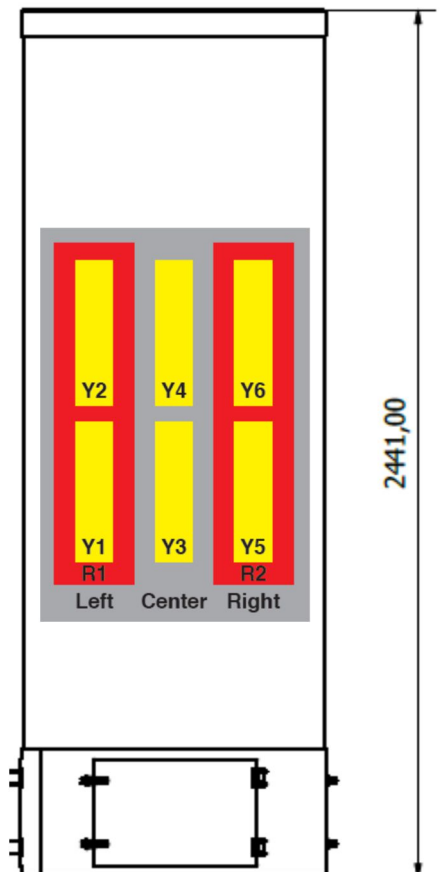
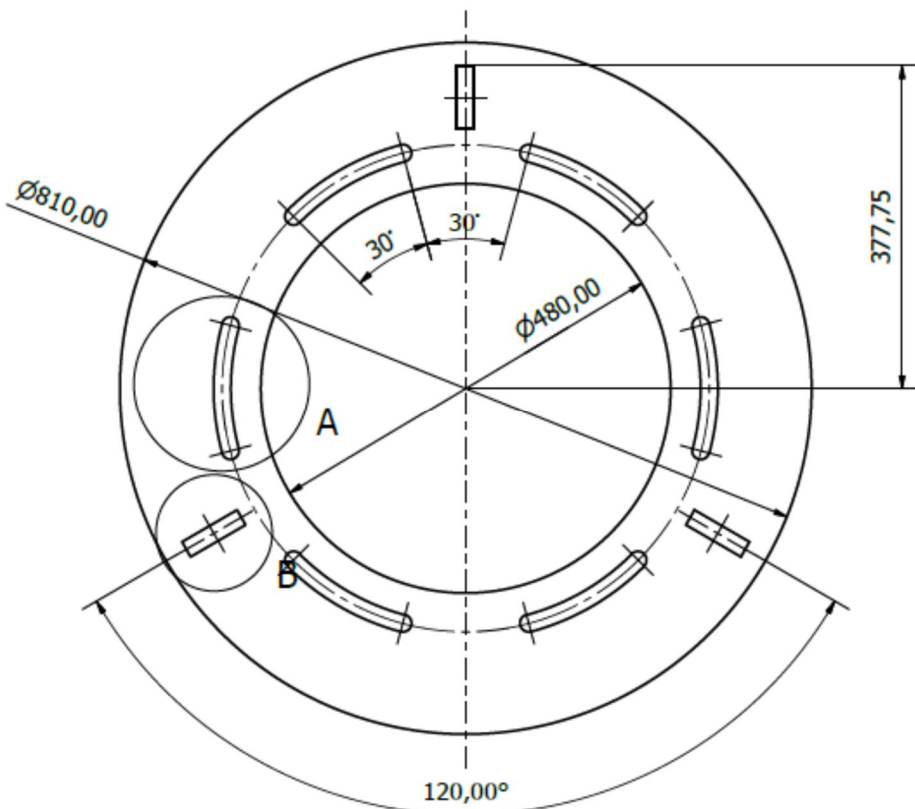
MECHANICAL INFORMATION

Type No.	ECO800008 + ECOACTXXXX
-----------------	-------------------------------

Total Weight	506kg approx
Total Length	3604mm
Total Diameter	800mm
Total Windload	2439N at 150km/h
Radome material	Fiberglass (Passive)
Structure material	Galvanised Steel



(Detail of Passive Antenna bottom Flange)



ECO800008 + ECOACTxxxx

Tri-sector Camouflage Hybrid Antenna

2L 6M 0H Passive / 5G MAK



TECHNICAL INFORMATION

Type No.	ECO800008
----------	------------------

R1	R2	Y1	Y2	Y3	Y4	Y5	Y6
698-960	698-960	1695-2690	1427-2690	1695-2690	1695-2690	1695-2690	1427-2690

	R1	R1
Frequency Range (Mhz)	698-960	698-960
Gain at Mid Tilt (dBi)	15.6	15.6
Azimuth Beamwidth (°)	60±7	60±7
Elevation Beamwidth (°)	11.6±1.0	11.6±1.0
Electrical Downtilt (°)	2.5-11.5°	
Isolation (dB)	>25	
Passive Intermodulation (dBc)	<-153 (2x 43dBm carrier)	
VSWR	<1.5	

	Y1	Y2	Y3
Frequency Range (Mhz)	1695-2690	1427-2690	1695-2690
Gain at Mid Tilt (dBi)	16.3	16.5	16.2
Azimuth Beamwidth (°)	61±4	62±4	58±5
Elevation Beamwidth (°)	9.9±0.9	8.3±0.9	8.8±0.5
Electrical Downtilt (°)	2-12°		
Isolation (dB)	>25		
Passive Intermodulation (dBc)	<-153 (2x 43dBm carrier)		
VSWR	<1.5		

	Y4	Y5	Y6
Frequency Range (Mhz)	1695-2690	1695-2690	1427-2690
Gain at Mid Tilt (dBi)	16.2	16.3	16.5
Azimuth Beamwidth (°)	58±5	6±4	62±4
Elevation Beamwidth (°)	9.1±0.5	9.9±0.5	8.3±0.9
Electrical Downtilt (°)	2-12°		
Isolation (dB)	>25		
Passive Intermodulation (dBc)	<-153 (2x 43dBm carrier)		
VSWR	<1.5		