

ECO800001 + ECOACTxxxx

Tri-sector Camouflage Hybrid Antenna

3L 5M 0H Passive / 5G MAK



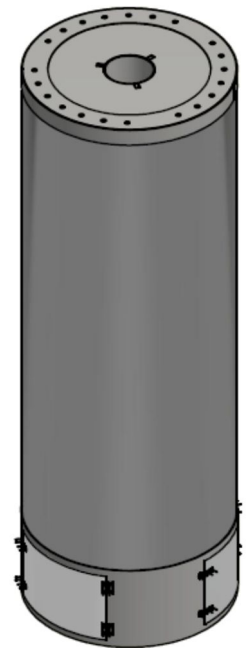
GENERAL INFORMATION

Type No.	ECO800001
-----------------	------------------

Short Description

Passive Tri-sector antenna enclosure composed by 3 panel Antennas integrated and Electrically adapted to a cylindrical enclosure for camouflage. It has the option to provide an upper mechanical module to integrate 5G mMimo Active Antennas at the same diameter.

Passive Frequency Range	698-862/ 880-960/ 698-960/ 2x1427-2170/ 2x2500-2690/ 1710-2690Mhz
Passive Antenna Reference	3x 800442001 (Ericsson)
N° Ports	48 x 4.3-10
Weight	398kgs approx.
Length incl. Service Area	2441mm
Diameter	800mm
Colour	RAL 9003 (white)
Variable Azimuth	±10° per sector
Shipping information	Wooden box 2680x1050x1190 // 568 kg

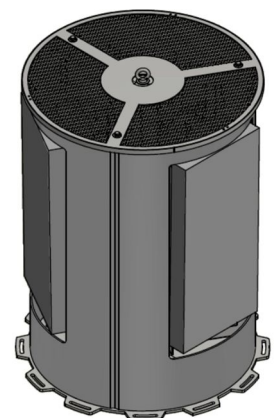


Type No.	ECOACTxxxx
-----------------	-------------------

Short Description

Mechanical Active Kit (MAK) Module to host up to 3x 5G Active Antennas.

Weight	108kgs
Length	1163mm approx..
Diameter	800mm
Colour	RAL 9003 (White)
Mechanical Donwtilt	0°-6°
Shipping information	Wooden box 1400x1120x1250 // 230 kg



ECO800001 + ECOACTxxxx Tri-sector Camouflage Hybrid Antenna 3L 5M 0H Passive / 5G MAK



GENERAL INFORMATION

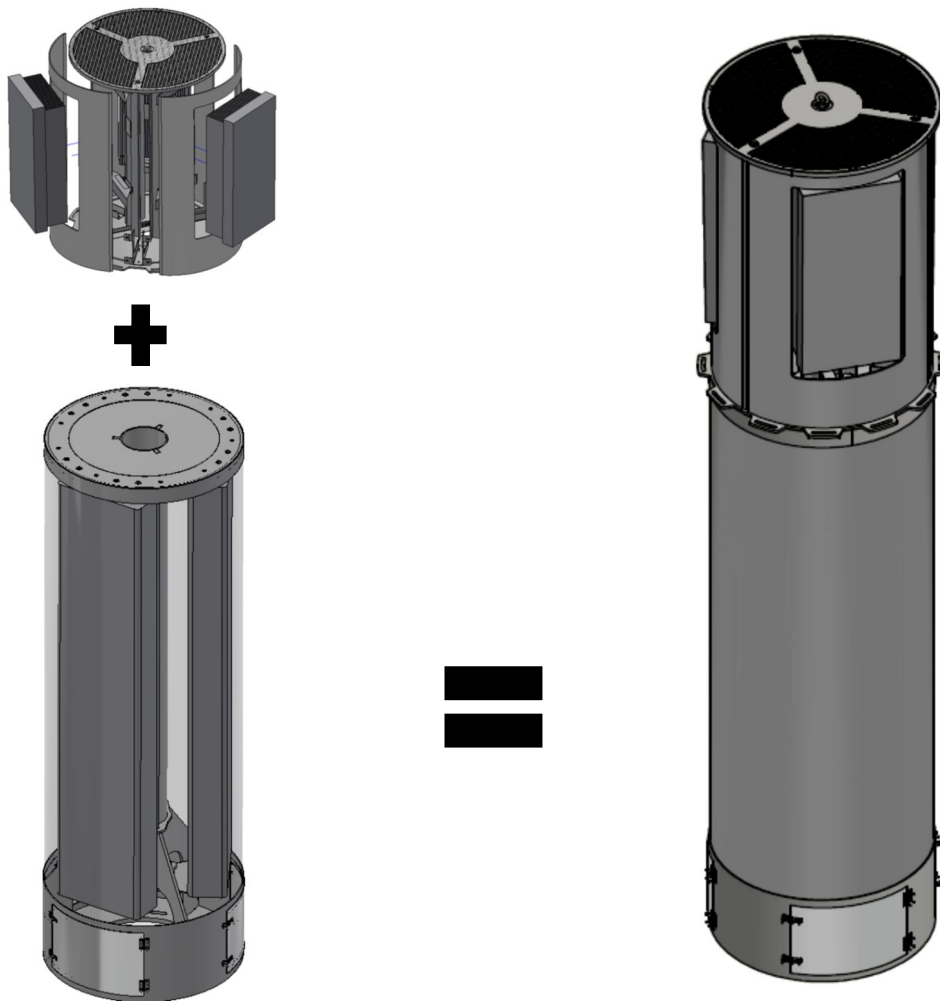
Active antenna correlative ordering matrix

Ref.	ERICSSON	HUAWEI	ZTE
ECOACT6401	AIR6488	X	X
ECOACT6411	AIR6449	X	X
ECOACT3201	AIR3227	X	X
ECOACT6402	X	AAU5613	X
ECOACT6403	X	X	A9631W S36

(ESB SISTEMAS does not provide Active antennas)

Short Description

In combination of Passive Antenna module (ECO800001) and Active Antenna Module (ECOACTXXXX) it may be deployed a full solution for 2G/3G/4G and 5G with full capacity features and sharing scenarios respecting the landscape architecture with a low visual impact solution.



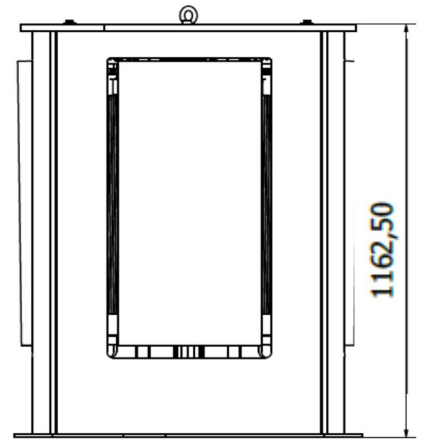
ECO800001 + ECOACTxxxx Tri-sector Camouflage Hybrid Antenna 3L 5M 0H Passive / 5G MAK



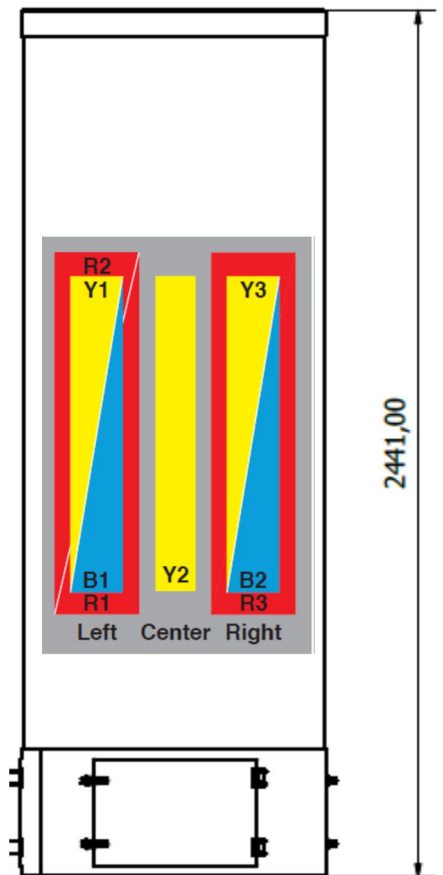
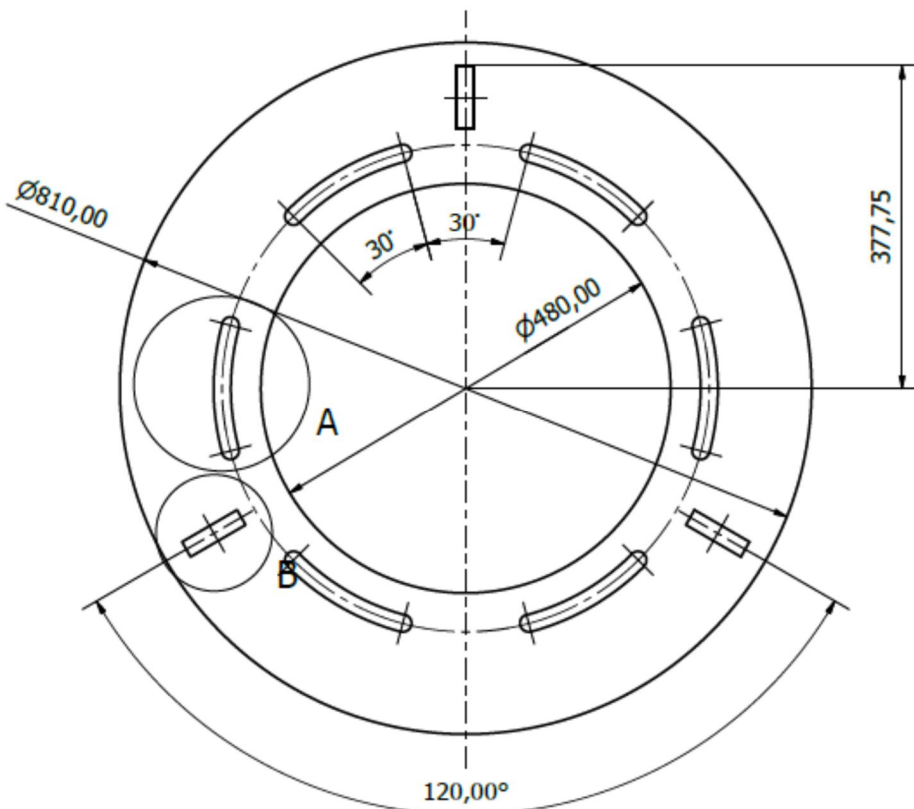
MECHANICAL INFORMATION

Type No.	ECO800001 + ECOACTXXXX
-----------------	-------------------------------

Total Weight	506kg approx
Total Length	3604mm
Total Diameter	800mm
Total Windload	2439N at 150km/h
Radome material	Fiberglass (Passive)
Structure material	Galvanised Steel



(Detail of Passive Antenna bottom Flange)



ECO800001 + ECOACTxxxx
Tri-sector Camouflage Hybrid Antenna
3L 5M 0H Passive / 5G MAK



TECHNICAL INFORMATION

Type No.	ECO800001						
----------	------------------	--	--	--	--	--	--

R1	R2	R3	B1	B2	Y1	Y2	Y3
698-862	880-960	698-960	1427-2170	1427-2170	2500-2690	1710-2690	1710-2690

	R1	R2	R3
Frequency Range (Mhz)	698-862	880-960	698-960
Gain at Mid Tilt (dBi)	14.5	15.4	15.5
Azimuth Beamwidth (°)	67±6.3	62±4.4	64±4.8
Elevation Beawidth (°)	11.6±0.9	9.9±0.4	11.4±0.9
Electrical Downtilt (°)	2-12°		
Isolation (dB)	>25		
Passive Intermodulation (dBc)	<-153 (2x 43dBm carrier)		
VSWR	<1.5		

	B1	B2
Frequency Range (Mhz)	1427-2170	1427-2170
Gain at Mid Tilt (dBi)	17.1	17
Azimuth Beamwidth (°)	62±5.2	63±5.7
Elevation Beawidth (°)	6.3±0.3	6.4±0.3
Electrical Downtilt (°)	2.5-12°	
Isolation (dB)	>26	
Passive Intermodulation (dBc)	<-153 (2x 43dBm carrier)	
VSWR	<1.5	

	Y1	Y2	Y3
Frequency Range (Mhz)	2500-2690	1710-2690	2500-2690
Gain at Mid Tilt (dBi)	17.2	18.3	17.2
Azimuth Beamwidth (°)	58±6	58±3.2	58±6
Elevation Beawidth (°)	4.8±0.4	6.5±0.4	4.8±0.4
Electrical Downtilt (°)	2.5-12°		
Isolation (dB)	>26		
Passive Intermodulation (dBc)	<-153 (2x 43dBm carrier)		
VSWR	<1.5		