

**78211236**  
**800Mhz Tuned Same Band Combiner**



**791 - 801 / 832 - 842 MHz**  
**LTE800**  
**ORANGE (10Mhz)**

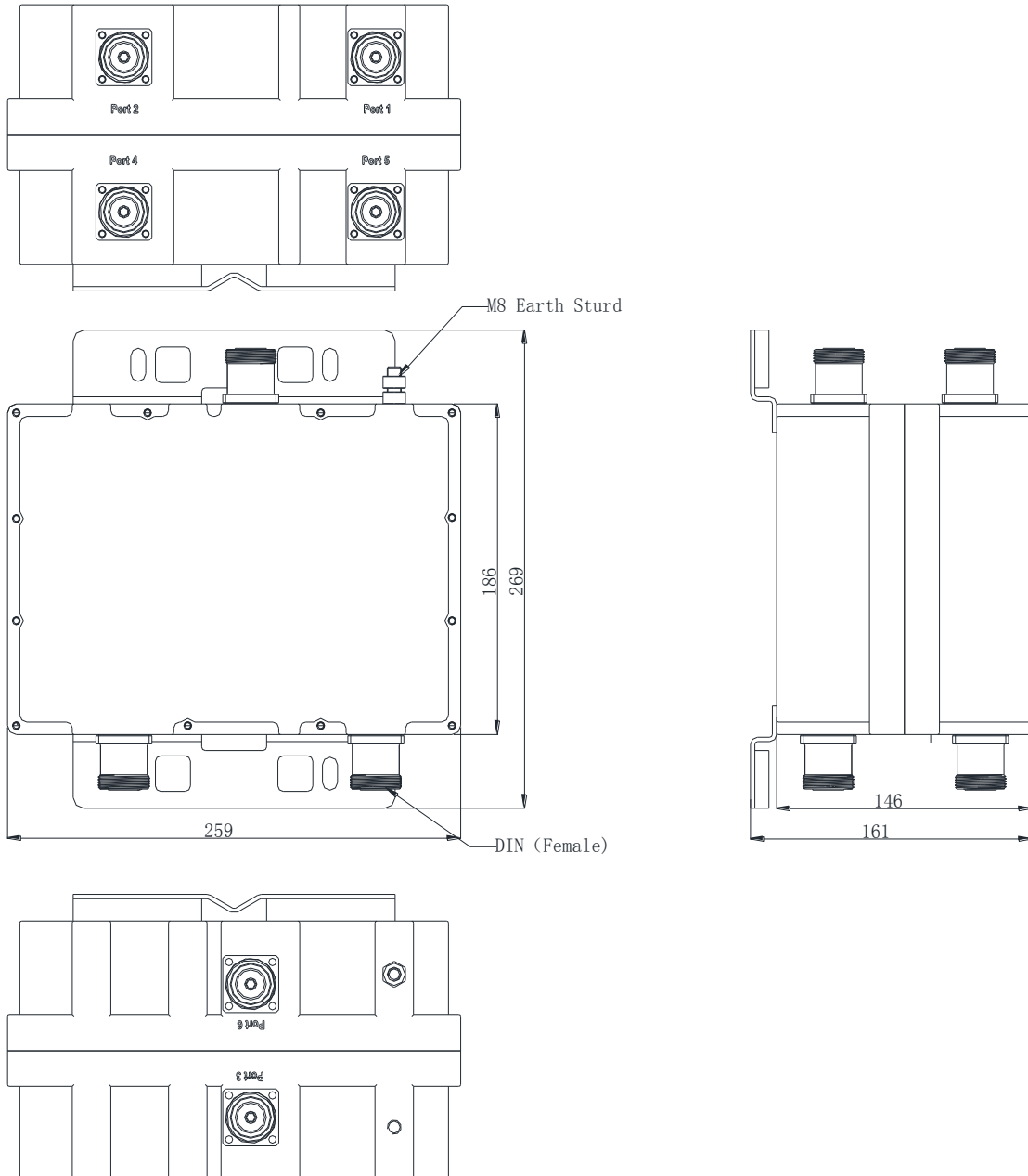
**811 - 821 / 852 - 862 MHz**  
**LTE800**  
**TELEFONICA (10Mhz)**

- Low loss combiner OR/TME
- Designed for antenna sharing
- DTMA supply
- DC/AISG by-pass between all ports
- Excellent PIM3 performance (-160dBc)
- Double Unit

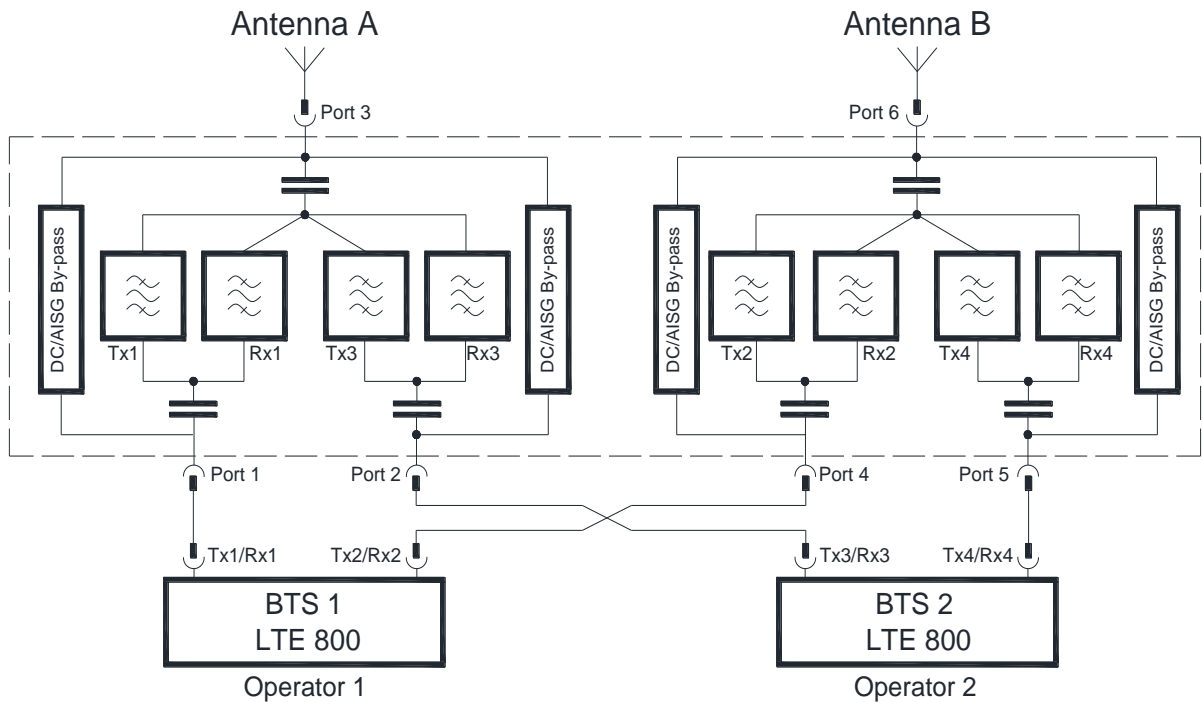


Part Number	782111236
Frecuency	<b>P1:Tx1 791-801Mhz – Rx1: 832-842Mhz</b> <b>P2:Tx3 811-821Mhz – Rx3: 852-862Mhz</b> <b>P4:Tx2 791-801Mhz – Rx2: 832-842Mhz</b> <b>P5:Tx4 811-821Mhz – Rx4: 852-862Mhz</b>
Insertion Loss	< 0.5dB ±0.15dB
VSWR	≤ 1.25
Isolation	>30dB
Intermodulation Product	< -160dBc (3rd order with 2x 20W)
DC/AISG	By-pass between all ports
Power Handling	100W
Impedance	50Ω
Application	Outdoor; IP66
Temperature Range	-20°C ... +60°C
Mounting	Wall/Pole mounting
Dimensions	259x186x146mm (without connectors)
Weight	7.1 Kg
Connector	4.3-10 F (Female)

**DIMENSIONES**



**DIAGRAMA DE BLOQUES**



**INSTALACIÓN**

