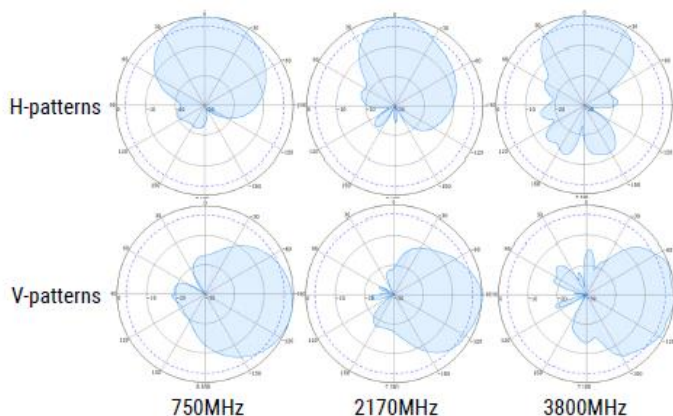


80112754

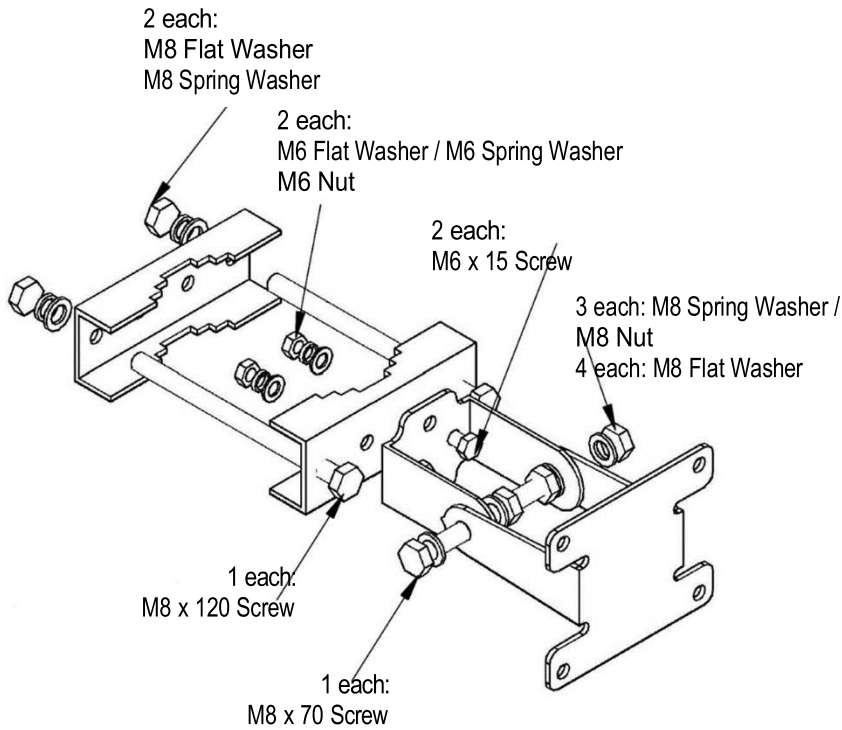
Directional Antenna
 XX-Pol 4-port 8/9dBi
 75°/65° 0T/0T
 698-960 / 1710-2690 / 3300-4000

XXPol Directional
698-960/1710-2690/3300-4000 8/9dBi 0°T/0°T

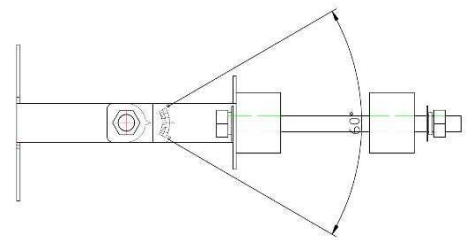
Type	80112754		
Port	Port 1 & 2	Port 3 & 4	
Frequency Range (MHz)	698-960	1710-2690	3300-4000
Gain (dBi)	8.3	9.7	10.5
VSWR	≤ 1.5		
3rd Order PIM (dBc)	≤ -150 @ 2x43dBm		
Polarization	±45°		
Electrical Tilt (°)	0		
Horizontal Beamwidth (°)	75	65	65
Vertical Beamwidth (°)	63	60	60
Input Impedance (ohm)	50		
Max. Input Power (W)	100 (per port)		
Front-to-Back Ratio (dB)	≥ 20	≥ 23	
Isolation (dB)	≥ 25		
Lightning Protection	DC Grounded		
Connector Type	4 x 4.3-10 Female		
Dimension (mm)	330 x 280 x 130		
Weight (kgs)	2.5		
Radome Material	UV-PVC (GREY RAL7035)		
Ingress protection	IP56		
Reflector Material	Aluminum		
Rated Wind Velocity (km/h)	210		
Operating Temperature (°C)	-40 to +65		
Mounting	Mechanical Adjustable Downtilt Clamp for Pole Diameter 38-52 included		



Mounting instructions:



Tilt Adjustment: $\pm 30^\circ$



Mast $\text{Ø}30 - \text{Ø}65$

