

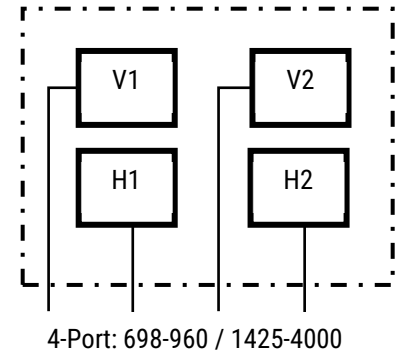
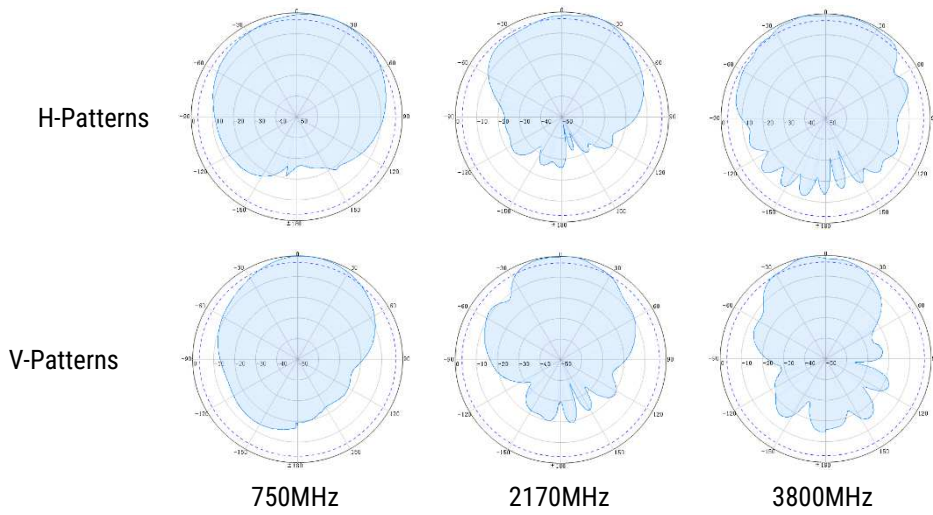
787x3130

**Indoor Panel Directional AntennaVH-
Pol 4-port 6/9dBi
698-960 / 1425-4000**

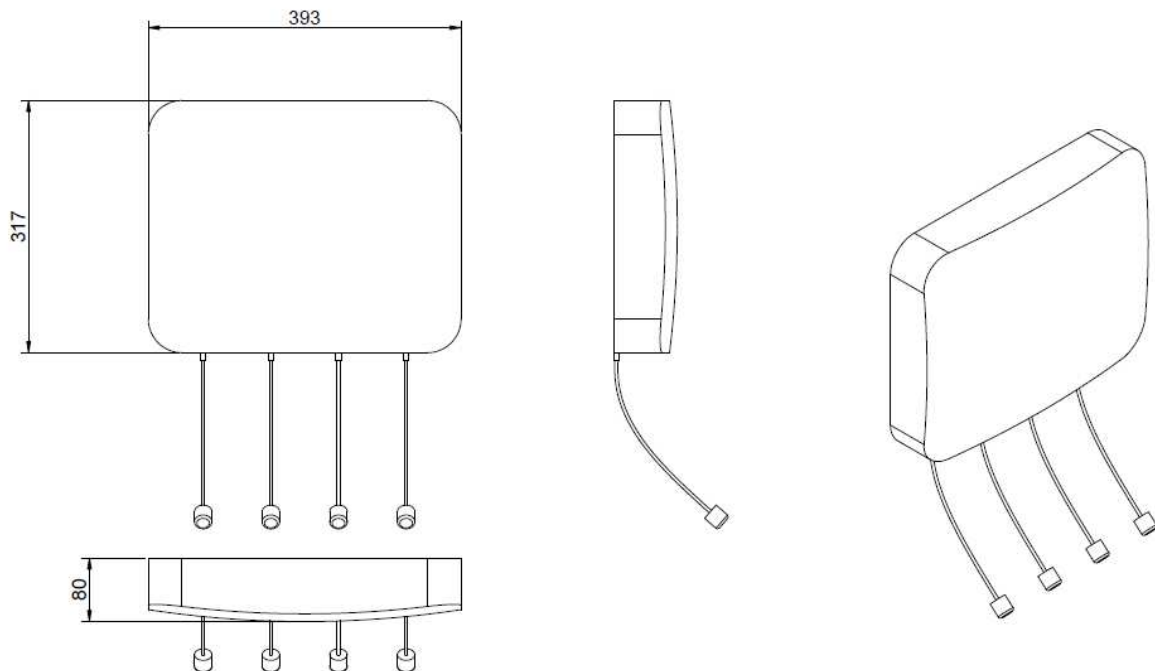
Panel Indoor 698-960/1425-4000 6/9dBi

Type	78713130		78733130
Frequency (MHz)	698-960	1425-2700	3300-4000
Gain (dBi)	5.5	8.5	7.9
VSWR	≤ 2.0	≤ 2.0	≤ 2.0
Polarization	V-H		
PIM3 (dBc, @2x43dBm)	≤ -153		
Isolation (dB)	≥ 12	≥ 20	≥ 24
Front-to-Back Ratio (dB)	≥ 7	≥ 13	≥ 10
Horizontal Beamwidth (°)	130-85	95-58	65-33
Vertical Beamwidth (°)	108-78	83-45	90-25
Input Impedance (ohm)	50		
Max. Input Power (W)	50		
Lightning Protection	DC Grounded		
Connector	4 x 4.3-10 Female	4 x N Female	
Dimension (mm)	385 x 315 x 68		
Weight (kgs)	Approx. 1.5		
Reflector Material	Aluminum and PCB		
Radome Material	ABS (UV Stabilized)		
Operating Temperature (°C)	-40 to +65		
Mounting	Fixed wall mounting bracket included		
Optional accesory (*order separately)	Universal Mounting Bracket 70010008 Wall mount: ±25° horizontal swivel & +27°/-35° vertical tilt Pole mount: ±45° horizontal swivel; pole size Ø38-Ø52mm		





Mechanical Dimensions



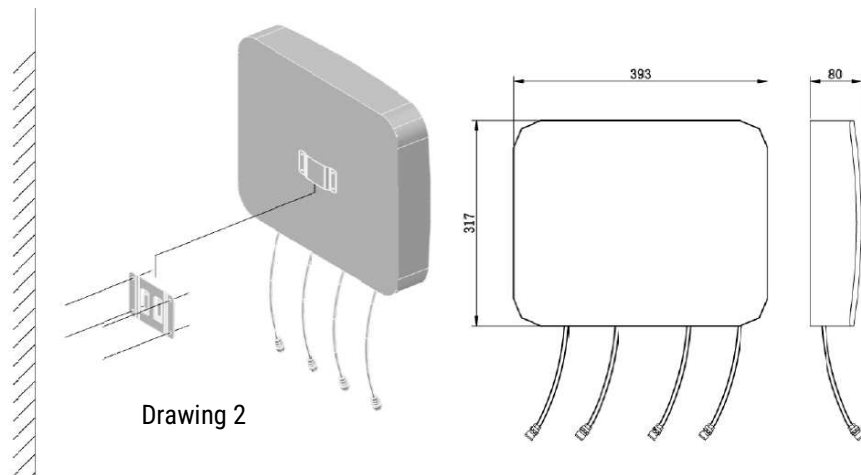
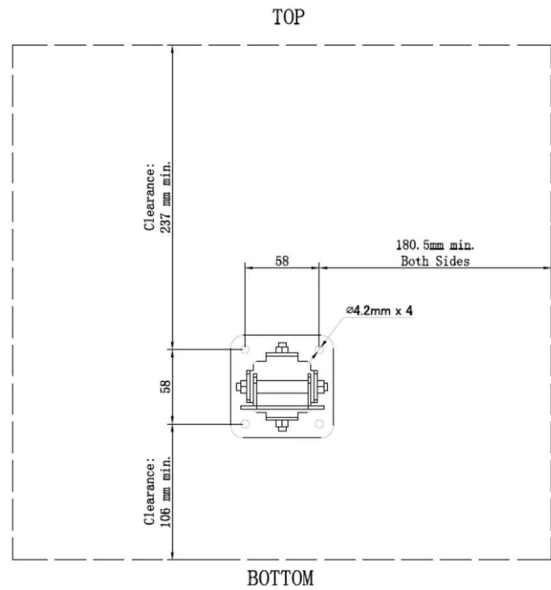
Drawing 1

1 Installation Guide (Standard Wall Mount)

Precaution and Disclaimer:

The installation materials supplied with this antenna are supposed to be used by qualified professionals. Use of these materials is at the discretions of the installer and/or customer. ESB holds no responsibility of any damage due to improper use of these materials and/or improper installation.

- 1.1 Ensure sufficient space on wall for installing the antenna. The space required is 419mm (W) x 401mm (H). Space required is larger than the size of the antenna.
- 1.2 Drill 4 holes (Ø4.2mm) on the wall. The locations of the holes are mentioned in Drawing 1. Drawing is not to scale and is for illustration only.
- 1.3 Insert the plugs supplied into the holes. The plugs are suitable for dry wall and wooden wall. Different wall materials may require different wall plugs. Installer should consult qualified professionals for suitable wall plug types.
- 1.4 Secure the mounting plate on the wall with the screws supplied per Drawing 2. The opening of the plates should face upward.
- 1.5 Insert the antenna onto the mounting plate securely.
- 1.6 Connect the RF cables to the pigtails of the antenna.



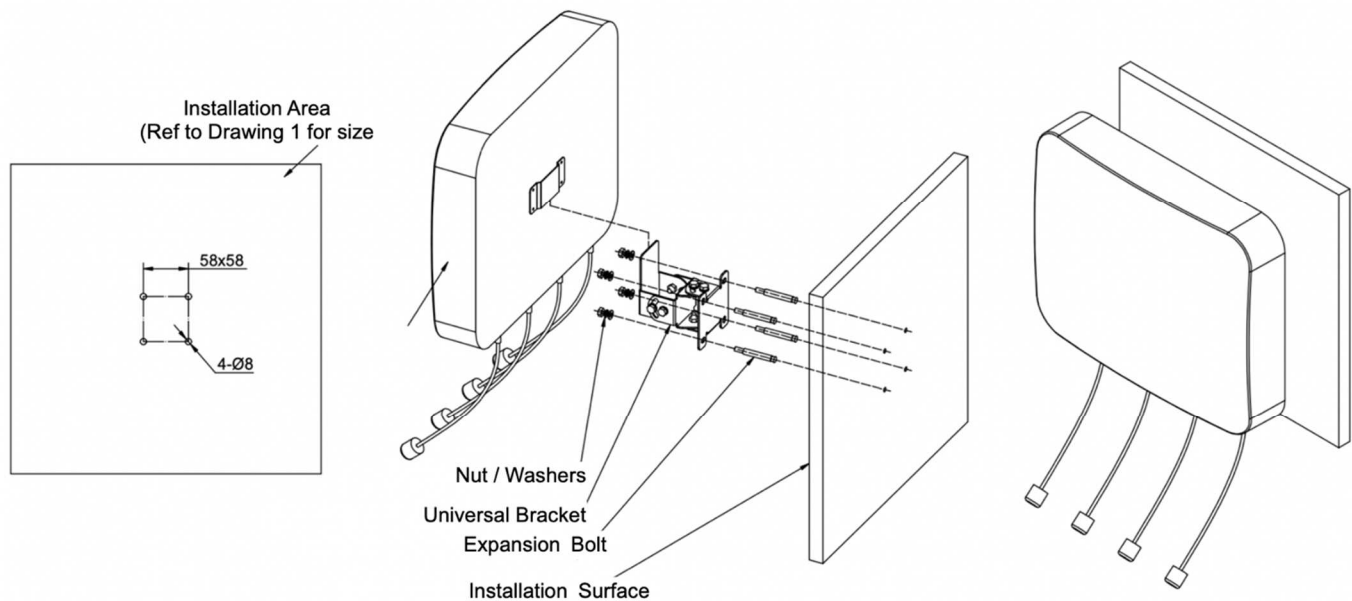
Drawing 2

2 Installation Guide (Wall Mount with Optional Universal Bracket)

Precaution and Disclaimer:

The installation materials supplied with this antenna are supposed to be used by qualified professionals. Use of these materials is at the discretions of the installer and/or customer. ESB holds no responsibility of any damage due to improper use of these materials and/or improper installation.

- 2.1 Ensure sufficient space on wall for installing the antenna. The space required is 419mm (W) x 401mm (H). Space required is larger than the size of the antenna.
- 2.2 Drill 4 holes (Ø8mm) on the wall. The locations of the holes are mentioned in Drawing 1 above. Drawing is not to scale and is for illustration only.



- 2.3 Insert the expansion bolts into the holes.
- 2.4 Secure the universal bracket on the surface with the nuts and washers as per above drawing. The flap of the bracket should face upward.
- 2.5 Insert the antenna onto the flap.
- 2.6 Connect the RF cables to the pigtails of the antenna.
- 2.7 Adjust the antenna to the desired angles.

3 Installation Guide (Pole Mount with Optional Universal Bracket)

Precaution and Disclaimer:

The installation materials supplied with this antenna are supposed to be used by qualified professionals. Use of these materials is at the discretion of the installer and/or customer. ESB holds no responsibility of any damage due to improper use of these materials and/or improper installation.

- 3.1 Ensure the pole is strong enough to support the antenna and its accessories. The size of the pole is $\varnothing 38\text{-}\varnothing 52\text{mm}$
- 3.2 Mount the universal bracket onto the pole with U-clamps, grip plates and nuts/spring washers/flat washers. The flap of the universal bracket must face upward.
- 3.3 Insert the antenna onto the flap.
- 3.4 Connect the RF cables to the pigtails of the antenna.
- 3.5 Adjust the antenna to the desired angles.

