

787621XX

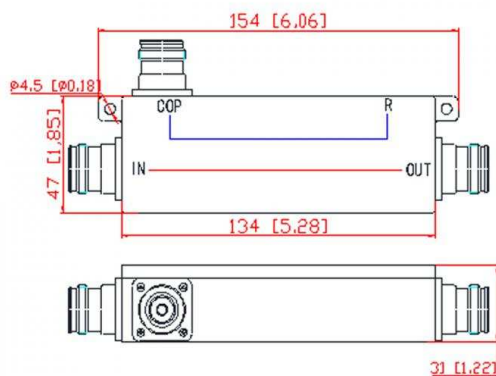
**Directional Coupler 4.3-10
PIM -160dBc
698-4000**

Directional Coupler 698-4000

Type	78762105	78762106	78762108	78762110	78762115	78762120	78762130
Coupling Value (dB)	5	6	8	10	15	20	30
Coupling Bias (dB)	±1.0	±1.0	±1.0	±1.5	±1.5	±1.5	±1.5
Insertion Loss (dB)	≤2.3	≤1.8	≤1.3	≤0.8	≤0.6	≤0.4	≤0.2
Isolation (dB)	≥23	≥24	≥26	≥28	≥33	≥38	≥45

Electrical Specifications	
Frequency Range (MHz)	698-4000
Impedance (Ω)	50
Return Loss (dB)	> 21 (Freq ≤ 2700MHz); > 19 (Freq 2700-4000MHz)
Directivity (dB)	> 20 (Freq ≤ 2700MHz); > 18 (Freq 2700-4000MHz)
IM3 (dBc, @2x43dBm)	≤ -160
Connector Type	4.3-10
Max. Power Rating (W)	500
Peak Power (W)	1,500

Mechanical and Environmental Specifications	
Dimension (mm)**	134 x 47 x 31
Weight (kgs)*	0.6
Colour	Light Grey
Mounting	Wall Mount
Operating Temp (°C)	-35 to +85
Ingress Protection Class	IP65
Packing Dimension (mm)	185 x 80 x 45
SKU (unit per box)	30 pcs per inner carton



* including mounting bracket and connectors
** excluding mounting bracket and connectors