

7833x003

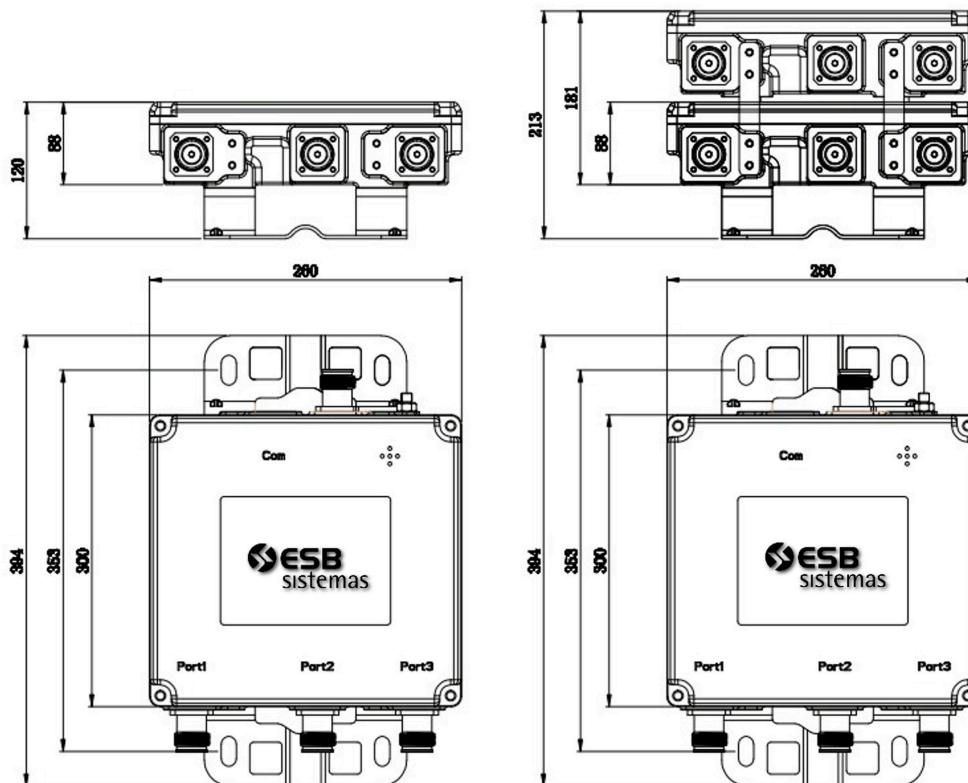
Triple Band Combiner 703-788 / 791-960 / 1427-3800

Triple Band Combiner 703-788 / 791-960 / 1427-3800

Type	78331003 Single Unit	78332003 Double Unit
Frequency (MHz) Port 1 Port 2 Port 3	703-788 791-960 1427-3800	
Insertion Loss (dB)	Port 1: ≤ 0.7 (703-785) / ≤ 1.0 (785-787) / ≤ 1.5 (787-788) Port 2: ≤ 1.5 (791-792) / ≤ 1.0 (792-800) / ≤ 0.7 (800-960) Port 3: ≤ 0.3 (1427-3800)	
Isolation (dB)	≥ 40	
PIM3 (dBc, @2x43dBm)	≤ -160	
VSWR	≤ 1.25	
Input Impedance (ohm)	50	
Max. Input Power (W)	Port 1: 200 Port 2: 200 Port 3: 200 (1427-2700) / 100 (2700-3800)	
ASIG/DC By-pass	Bypass at Port 2 (Max. 2500mA)	
Connectors	4.3-10 Female	
Dimension (mm)*	260 x 300 x 88	260 x 300 x 181
Weight (kgs)	6.2	12
Ingress Protection Class	IP66	
Operational RH (%)	≤ 95	
Operating Temperature (°C)	-40 to +60	
Storage Temperature (°C)	-40 to +85	
Barometric Pressure (kPa)	55 to 106	
Mounting	Wall Mount	

* excluding connectors and clamp

Dimensions



Block Diagram

