

78211926v01

2100Mhz Tuned Same Band Combiner

1935 - 1945 / 2125 - 2135 MHz
UMTS 2100
ORANGE (10MHz)

1950 - 1965 / 2140 – 2155-2170 MHz
UMTS 2100
TELEFÓNICA

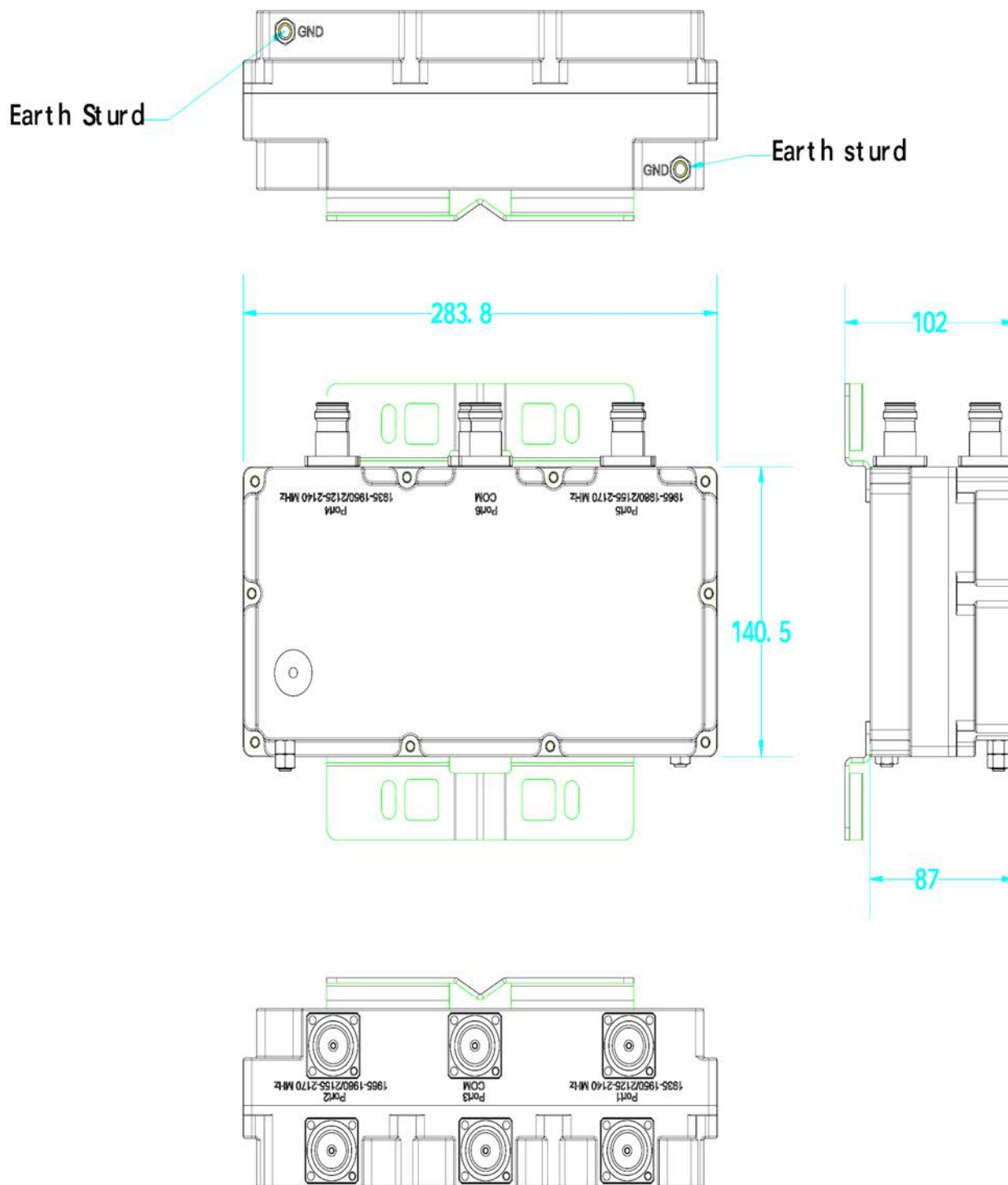
Designed to share 2100Mhz bands
DC/AISG by Pass for DTMA supply
Excellent PIM performance
Double Unit



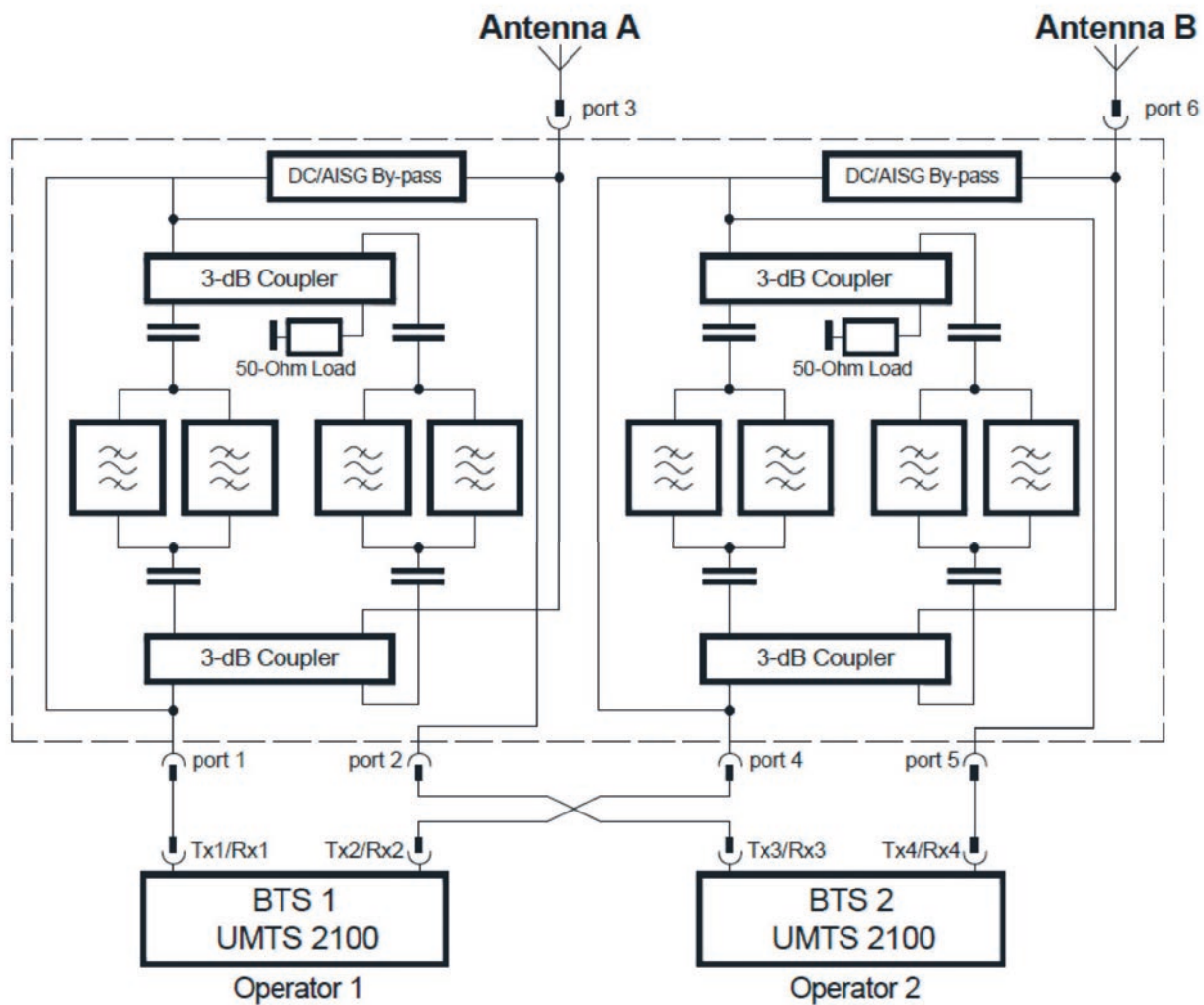
78211926v01

Pass Band	<ul style="list-style-type: none"> P1:Tx1 2125-2140Mhz – Rx1: 1935-1950Mhz P2:Tx3 2155-2170Mhz – Rx3: 1965-1980Mhz P4:Tx2 2125-2140Mhz – Rx2: 1935-1950Mhz P5:Tx4 2155-2170Mhz – Rx4: 1965-1980Mhz
Insertion Loss	< 1.2dB
VSWR	≤ 1.25
Isolation	>28dB
Intermodulation Product	< -160dBc (3rd order with 2x 20W)
DC/AISG	P2->P3 y P5->P6 (max 2500mA)
Max Input Power	100W
Impedance	50Ω
Application	Outdoor; IP66
Operating Temperature Range	-20°C ... +60°C
Storage Temperature Range	-40°C ... +85°C
Humidity Range	5% ... 95%
Mounting	Wall/Pole mounting
Dimensions	283.8 x140.5 x 87 mm (without connectors)
Peso	5.1 Kg
Connector	4.3-10 F (Female)

Dimensions



Block diagram



Installation

