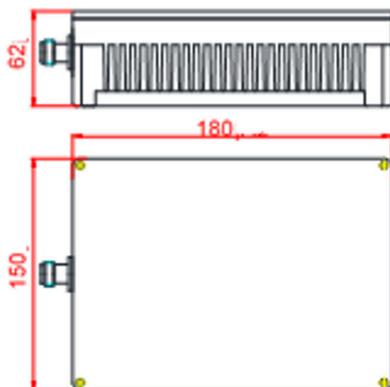


# 751x0504

## Termination Load 50ohm DC-4000 50W

Termination Load 50 ohm  
Low PIM: -160dBc 50W  
DC-4000 4.3-10: -Male / Female

Type	75110504 (4.3-10-Female)	75120504 (4.3-10-Male)
Power Rating (W)	50	
Frequency (MHz)	DC - 4000	
PIM3 (dBc)	See Above Type Number Selection Table	
Impedance ( $\Omega$ )	50	
VSWR	$\leq 1.20$	
Dimension (mm)**	180 x 150 x 62	
Weight (kgs)*	Female: 2.545 approx.	
	Male: 2.530 approx.	
Ingress Protection	IP65	



\* including connector  
\*\* excluding connector